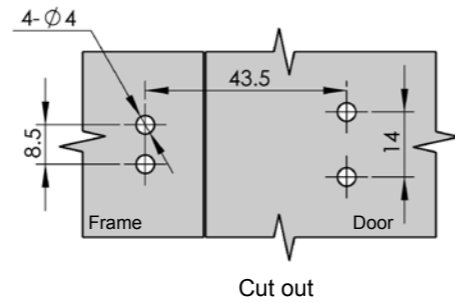
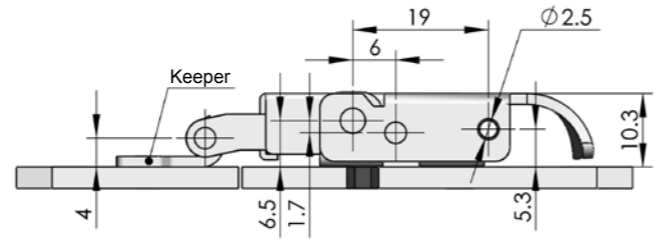
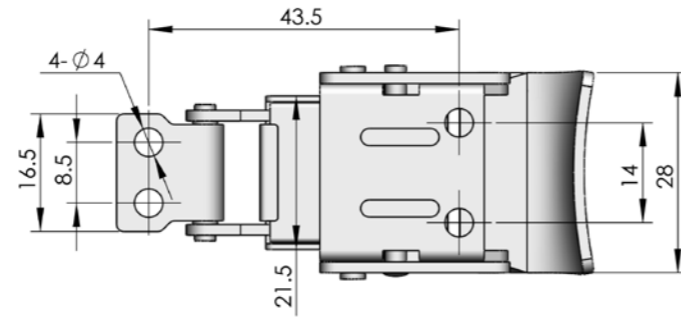


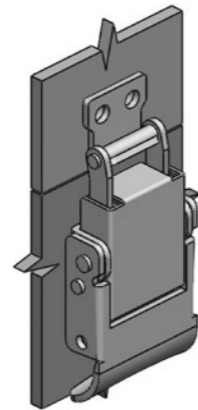
DK624



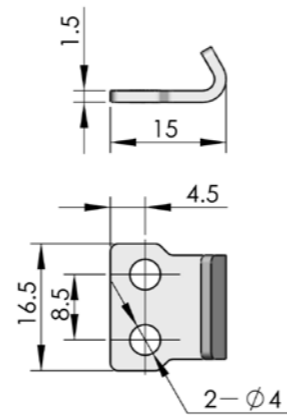
Main material and finish: Electrolytic stainless steel



Cut out



Keeper



ERP

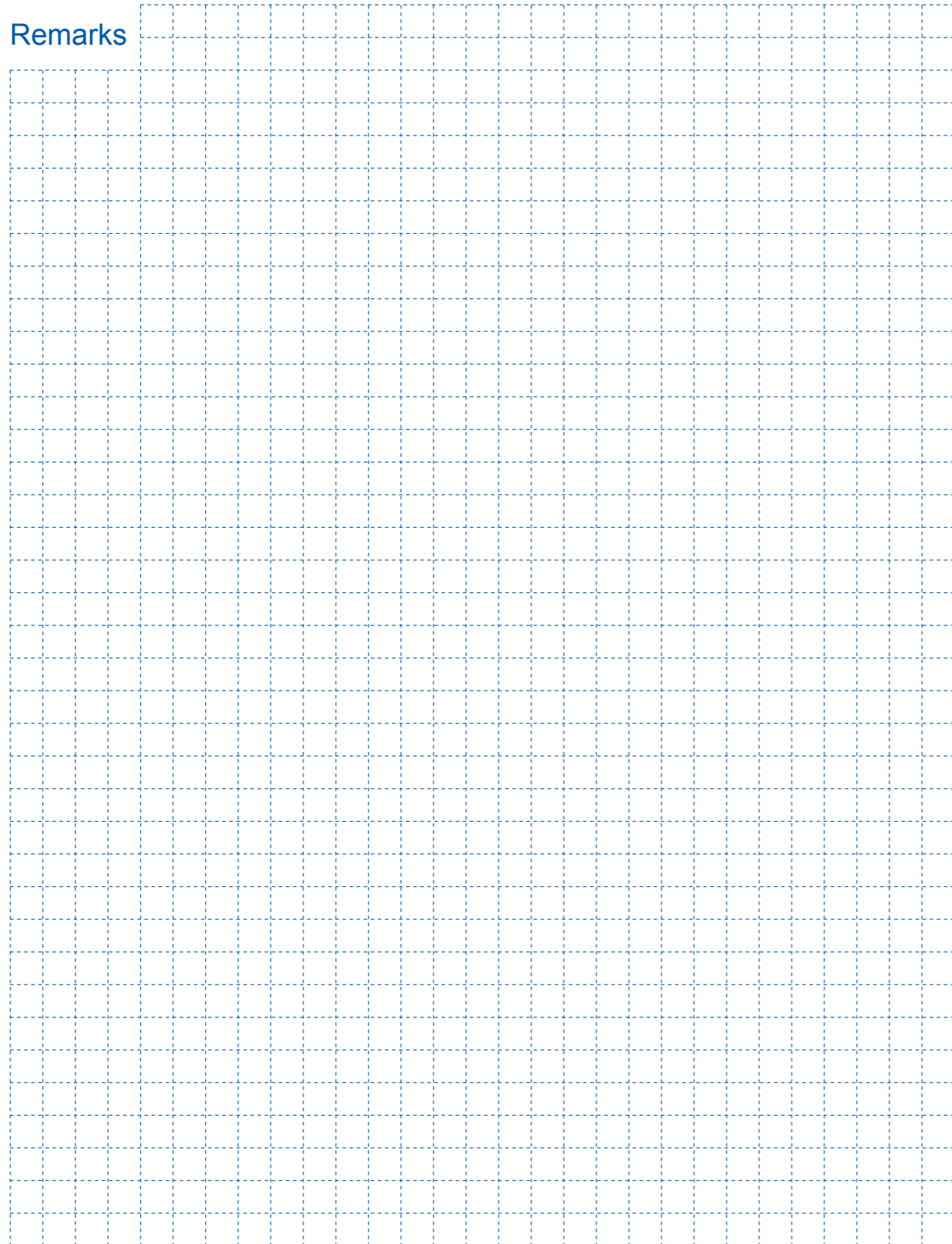
DK624S4C000001

HANDLES SERIES

 LS501 P227	 LS502 P227	 LS503 P228	 LS504-1 P228	 LS504-2 P229
 LS504-3 P229	 LS505 P230	 LS506 P231	 LS507 P230	 LS508 P232
 LS509 P233	 LS510 P234	 LS511 P235	 LS513 P236	 LS515 P234
 LS514-1 P237	 LS514-2 P237	 LS514-3-4-5 P237	 LS516 P238	 LS516-2A P238
 LS520 P240	 LS521 P240	 LS522 P241	 LS523 P242	 LS527 P242

TOGGLE AND HOOK SERIES

Remarks

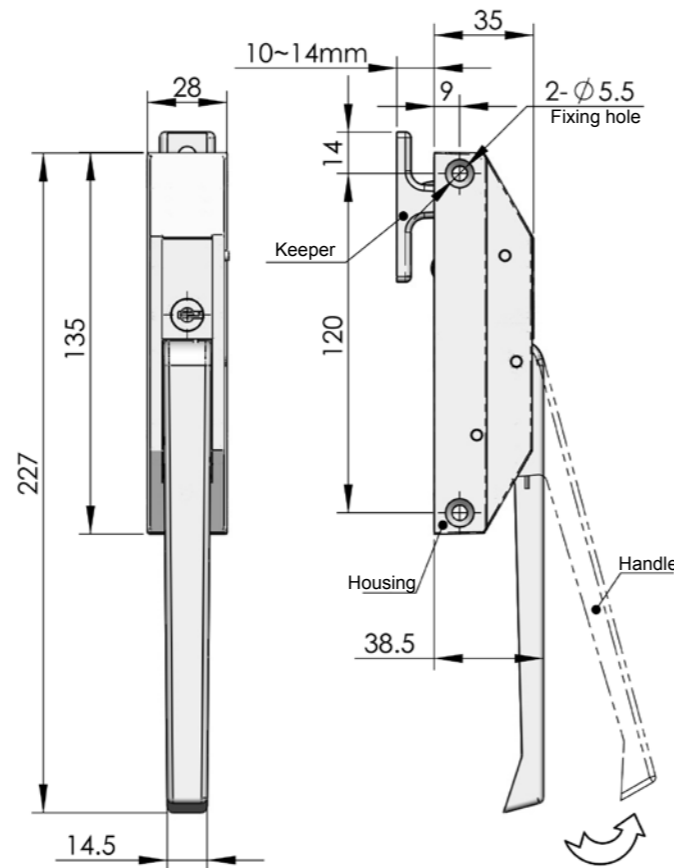


 DK690 P210	 DK790 P211	 DKS P213	 DK601 P213
 DK602 P214	 DK603 P215	 DK604 P215	 DK605 P216
 DK606 P216	 DK607-1 P217	 DK609 P217	 DK610 P219
 DK611 P219	 DK612 P220	 DK615 P221	 DK618 P222
 DK617 P223	 DK623 P223	 DK725-3B P224	 DK624 P225

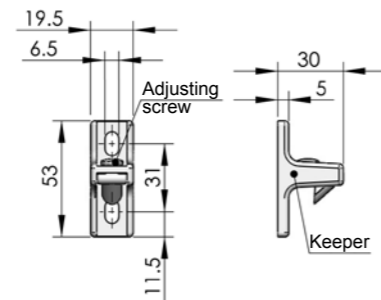
DK680



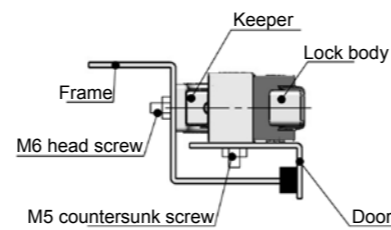
Main material and finish: Bright chrome-plated ZDC housing, keeper and profile cylinder, stainless steel handle
Remarks: Default key K260



Keeper (Accessory)



Example of application

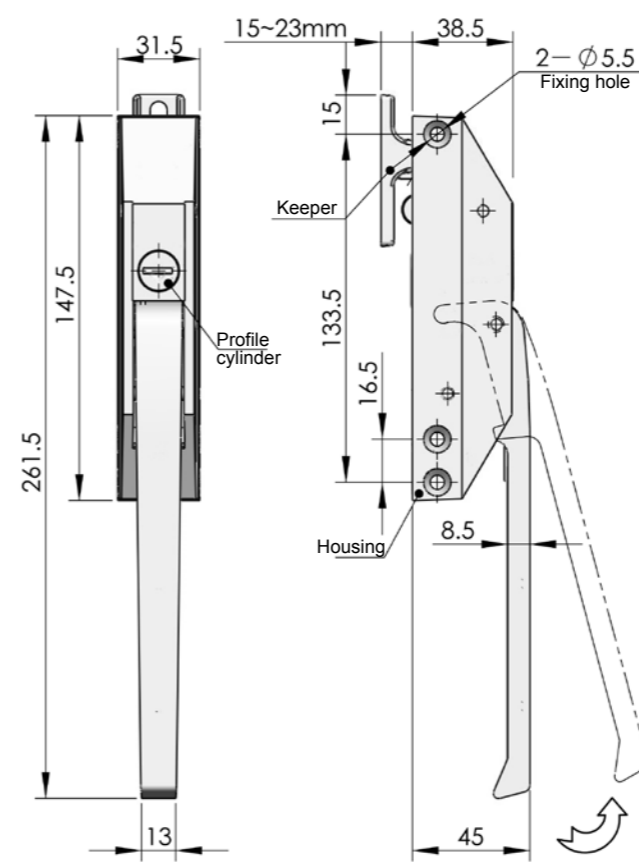


ERP	Specification
DK680Z3A260001	With insert
DK680Z3A000001	Without insert

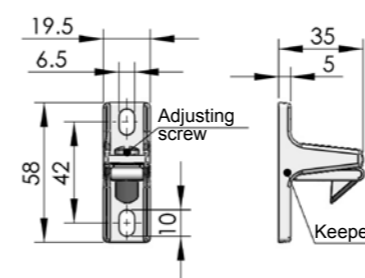
DK690



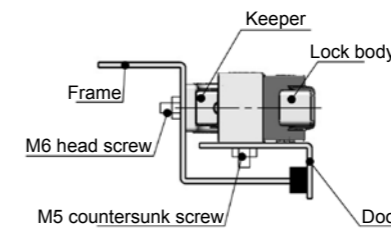
Main material and finish: Bright chrome-plated ZDC housing, handle, keeper and profile cylinder
Remarks: Default key K270



Keeper (Accessory)



Example of application



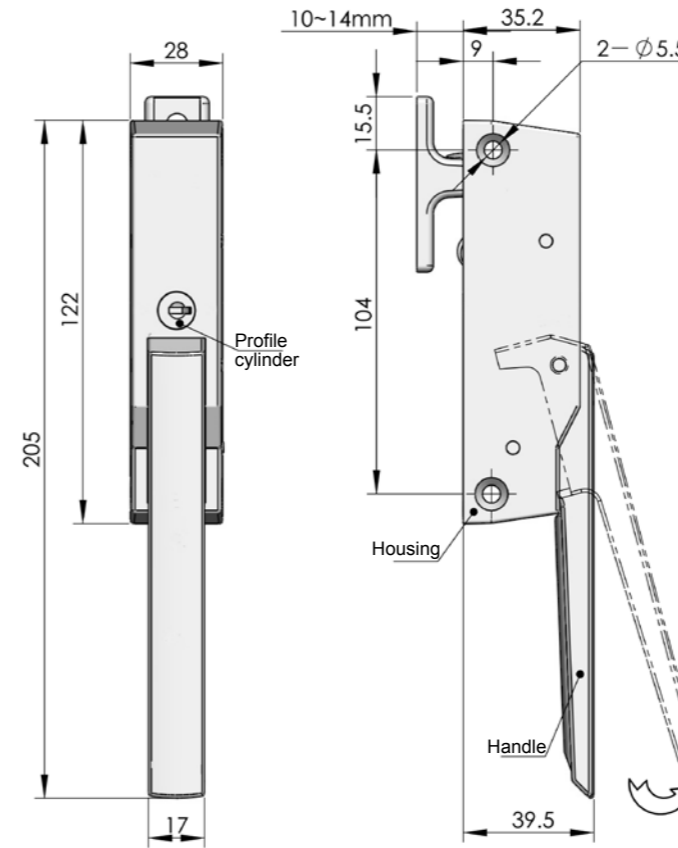
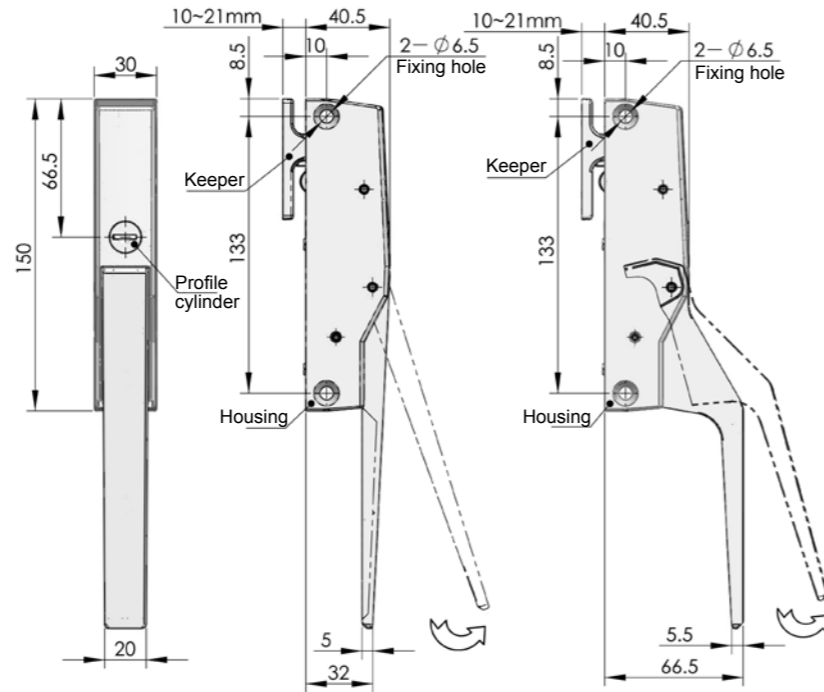
ERP	Specification
DK690Z3A270001	With insert
DK690Z3A000001	Without insert

DK790



Main material and finish: Bright chrome-plated ZDC housing, handle, keeper and profile cylinder

Remarks: Default key K270



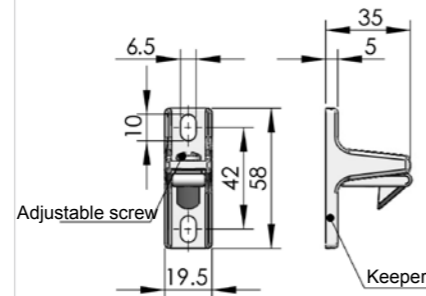
DK880



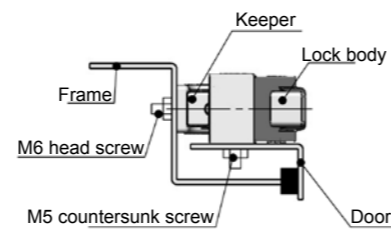
Main material and finish: Bright chrome-plated ZDC housing, handle, keeper and profile cylinder

Remarks: Default key K260

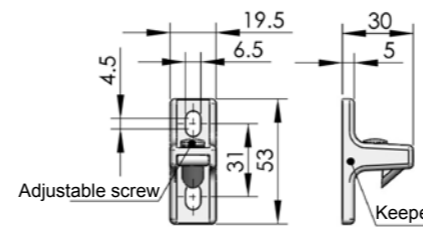
Keeper (Accessory)



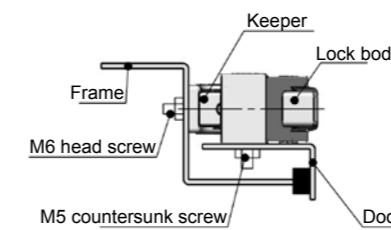
Example of application



Keeper (Accessory)



Example of application



ERP	Specification
DK790Z3A270001	With profile cylinder, straight handle
DK790Z3A270002	With profile cylinder, curved handle
DK790Z3A000001	Without profile cylinder, straight handle
DK790Z3A000002	Without profile cylinder, curved handle

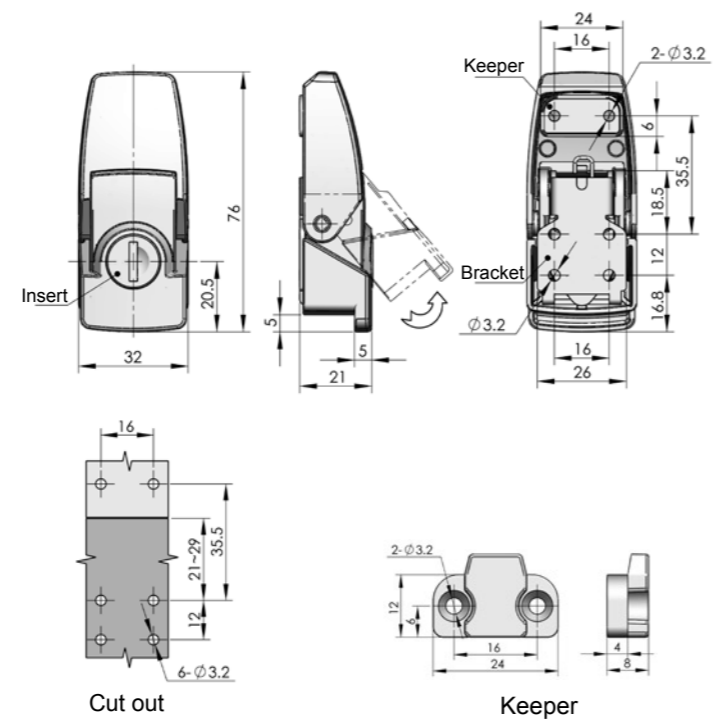
ERP	Specification
DK880Z3A260001	With profile cylinder, ZDC handle
DK880Z3A260002	With profile cylinder, stainless steel handle
DK880Z3A260003	With profile cylinder, PA handle
DK880Z3A000001	Without profile cylinder, ZDC handle
DK880Z3A000002	Without profile cylinder, stainless steel handle
DK880Z3A000003	Without profile cylinder, PA handle

Accessories
Handle lock
Cylinder lock
Electronic lock
Swing handle
Rod control lock
Panel lock
Toggle and hook
Handles
Door stop
Hinge
Seal gasket

Accessories
Handle lock
Cylinder lock
Electronic lock
Swing handle
Rod control lock
Panel lock
Toggle and hook
Handles
Door stop
Hinge
Seal gasket



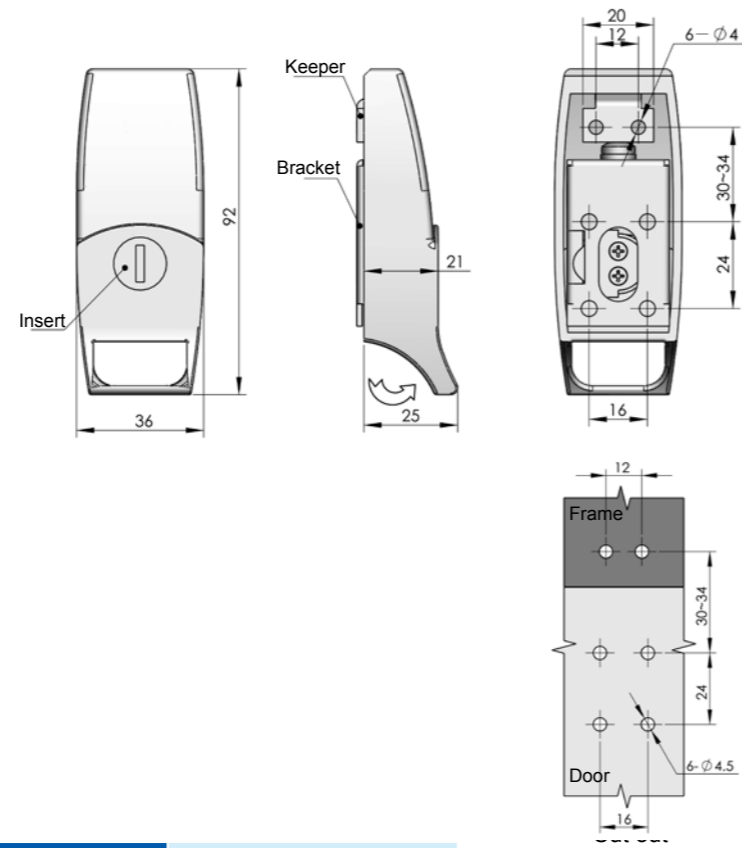
DKS
Main material and finish: ZDC housing and keeper, stainless steel bracket
Remarks: Optional key K080



Specification	ERP	
	Bright chrome-plated	Black powder coated
With insert	DKDKSZ3B080001	DKDKSZ1A080001
Without insert	DKDKSZ3B000001	DKDKSZ1A000001



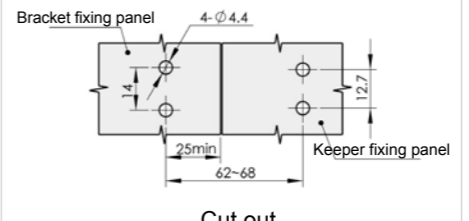
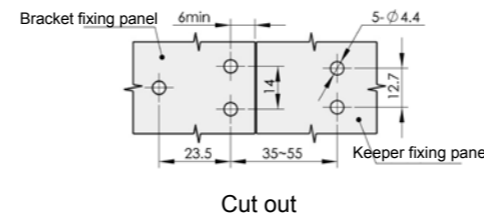
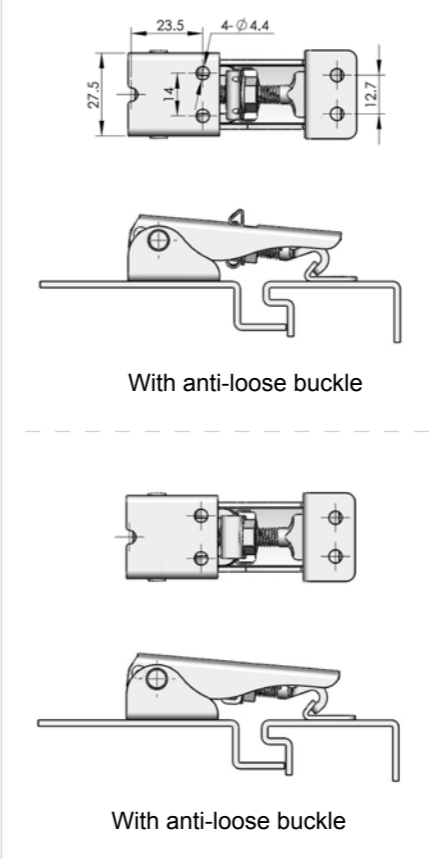
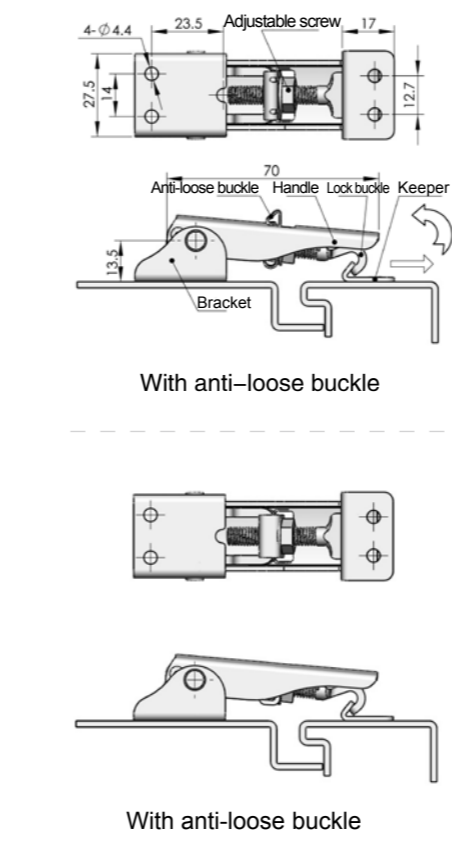
DK601
Main material and finish: Black powder coated ZDC housing, stainless steel bracket and keeper
Remarks: Optional key K080



ERP	DK601Z1A080001

Exposed type

Concealed type



Specification	Exposed type		Concealed type	
	Stainless steel	Steel	Stainless steel	Steel
Without anti-loose hook	DK602S4A000001	DK602F3D000001	DK602S4A000002	DK602F3D000002
With anti-loose hook	DK602S4A000003	DK602F3D000004	DK602S4A000004	DK602F3D000005



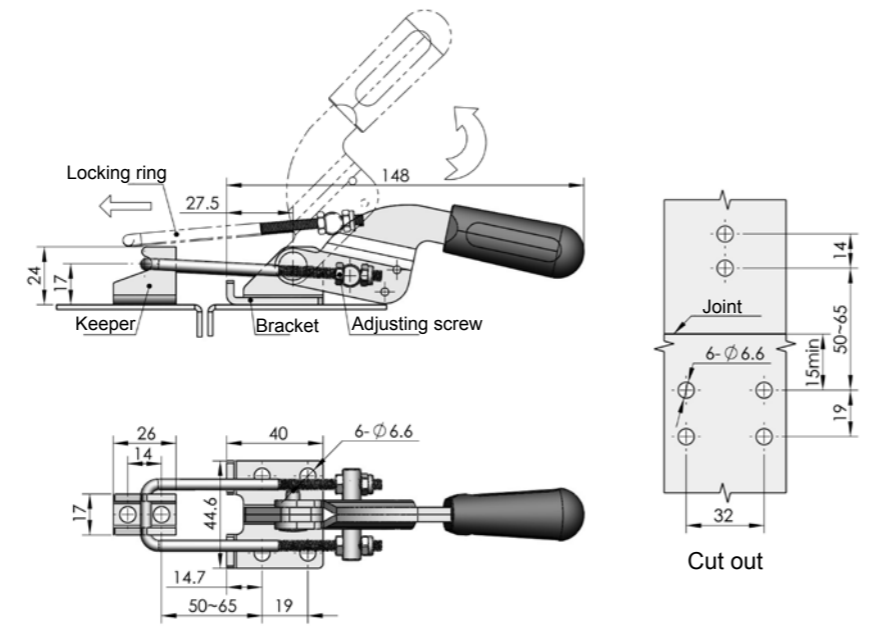
DK602
Main material and finish: Electrolysis polished stainless steel or zinc-plated steel

Accessories
Handle lock
Cylinder lock
Electronic lock
Swing handle
Rod control lock
Panel lock
Toggle and hook
Handles
Door stop
Hinge
Seal gasket

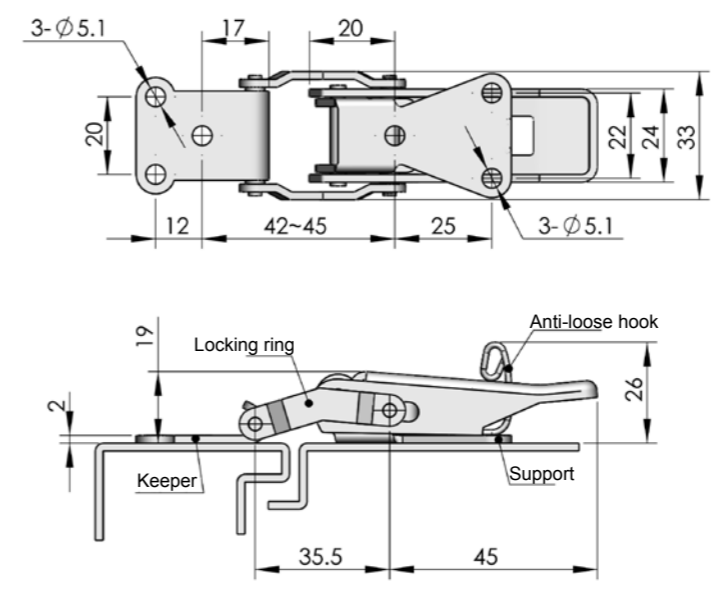
Accessories
Handle lock
Cylinder lock
Electronic lock
Swing handle
Rod control lock
Panel lock
Toggle and hook
Handles
Door stop
Hinge
Seal gasket



DK603
Main material and finish: Zinc-plated steel body, rubber handle



ERP DK603F3D000001



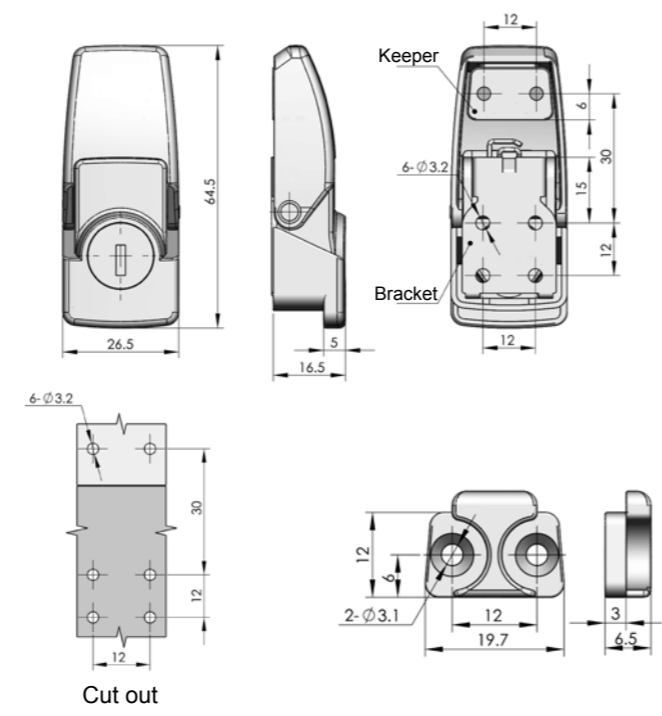
ERP DK605S4A000001



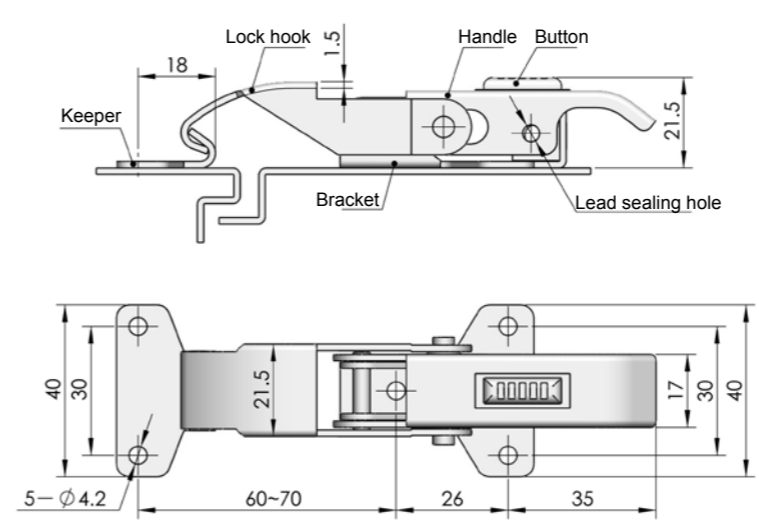
DK605
Main material and finish: Mirror polished stainless steel



DK604
Main material and finish: ZDC housing and keeper, stainless steel bracket
Remarks: Key K080 for selection



Specification	ERP	
	Black powder coated	Bright chrome-plated
With profile cylinder	DK604Z1A080001	DK604Z3A080001
Without profile cylinder	DK604Z1A000001	DK604Z3A000001



ERP DK606F3D000001



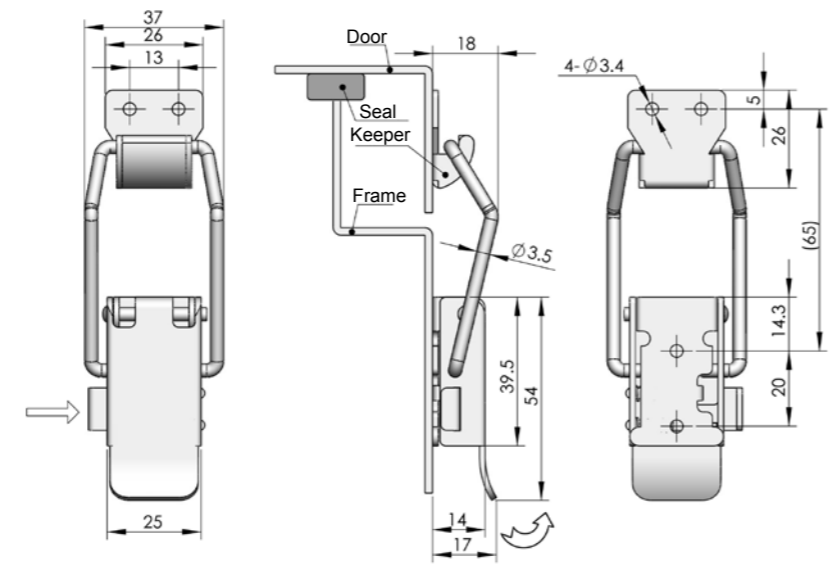
DK606
Main material and finish: Zinc-plated steel

Accessories
Handle lock
Cylinder lock
Electronic lock
Swing handle
Rod control lock
Panel lock
Toggle and hook
Handles
Door stop
Hinge
Seal gasket

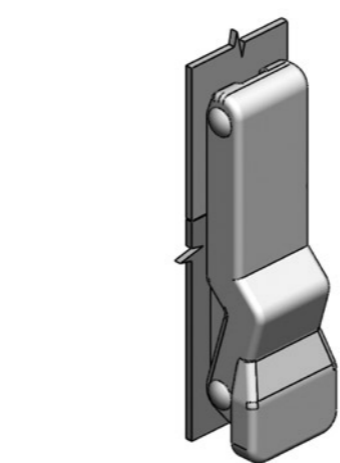
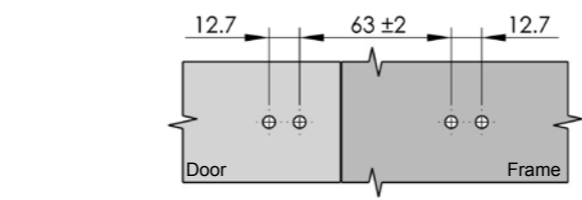
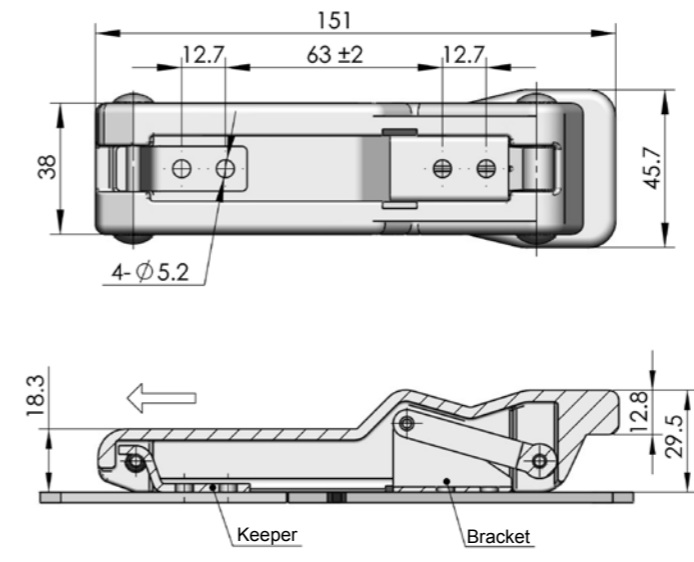
Accessories
Handle lock
Cylinder lock
Electronic lock
Swing handle
Rod control lock
Panel lock
Toggle and hook
Handles
Door stop
Hinge
Seal gasket



DK607-1
Main material and finish: Polished stainless steel



ERP DK607S4C000001



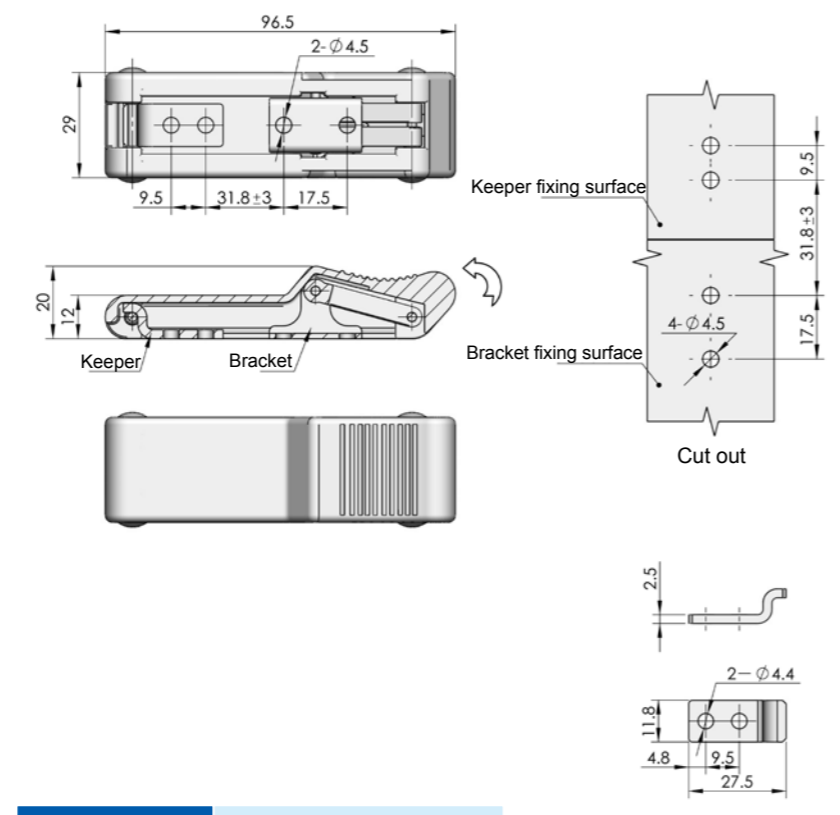
ERP DK609N0000006



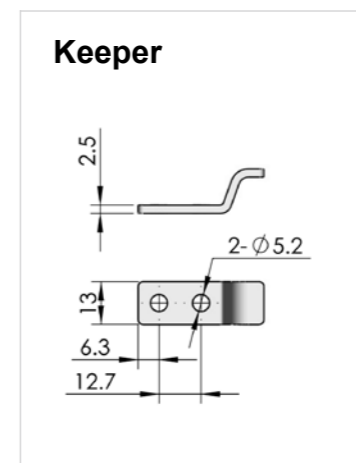
DK609-2
Main material and finish: Black rubber handle, stainless steel keeper and bracket



DK609
Main material and finish: Black rubber handle, stainless steel keeper and bracket

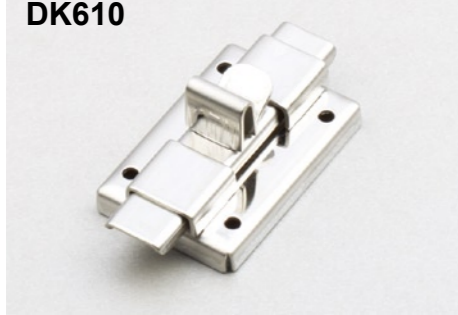


ERP DK609N0000001

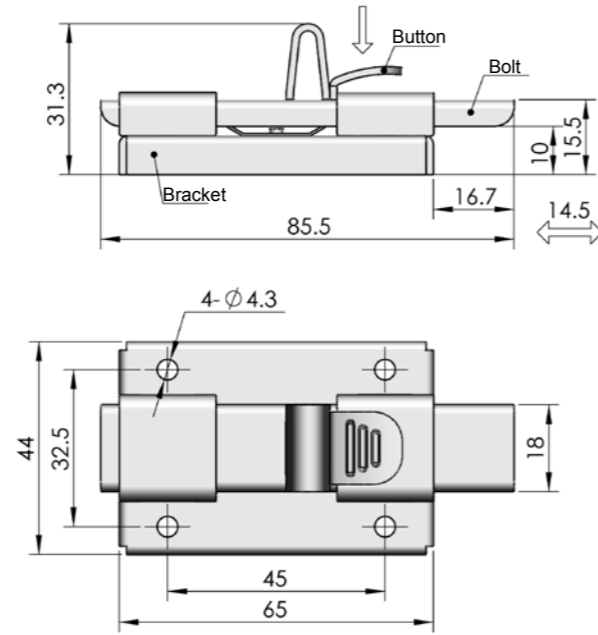


ERP DK609N0000006

DK610



Main material and finish: Electrolytic stainless steel

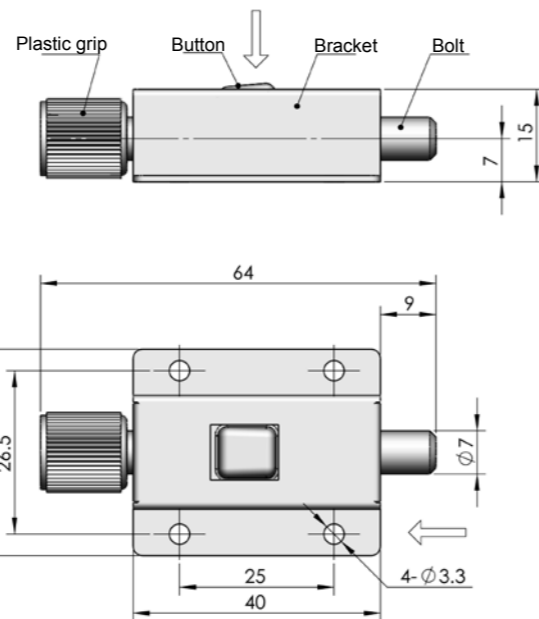


ERP DK610S0000001

DK611



Main material and finish: Stainless steel bracket and button, chrome plated steel bolt with plastic grip

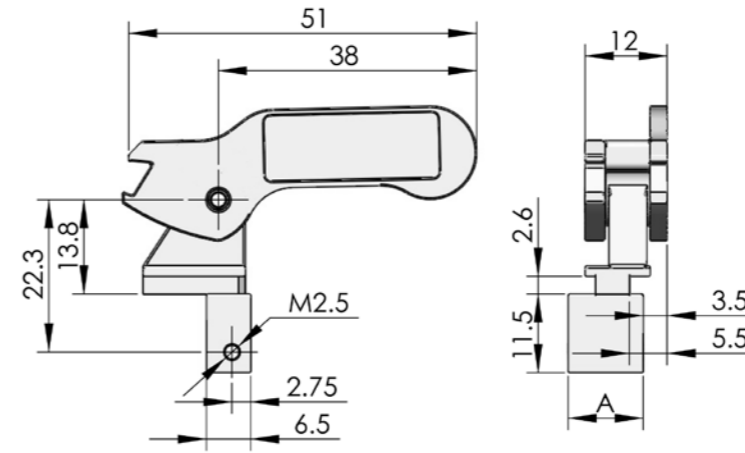


ERP DK611S0000001

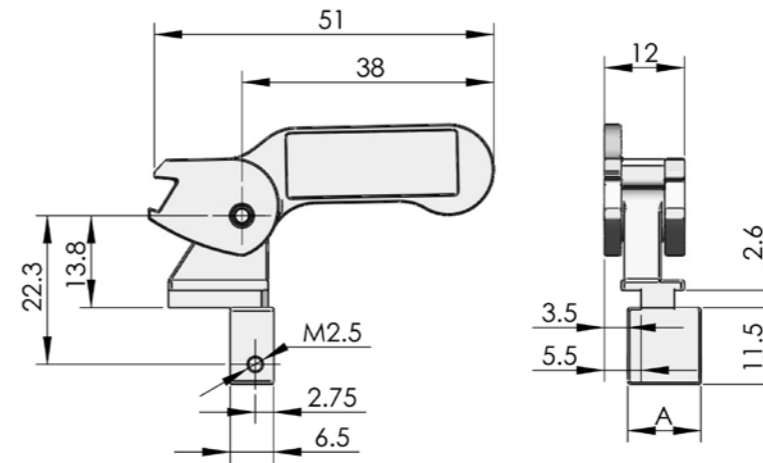
DK612



Main material and finish: Nickle plated ZDC



Left toggle



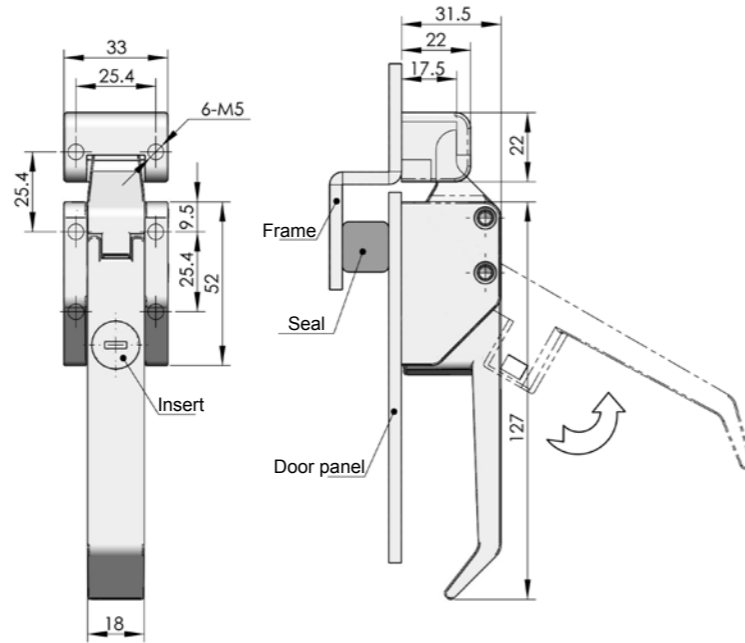
Right toggle

Specification	ERP		
	A=11	A=13.5	A=16
Left toggle	DK612Z3G000001	DK612Z3G000003	DK612Z3G000005
Right toggle	DK612Z3G000002	DK612Z3G000004	DK612Z3G000006

DK615



Main material and finish: Matte Black powder coated ZDC housing, handle and keeper, stainless steel pins
Remarks: Default Key K030

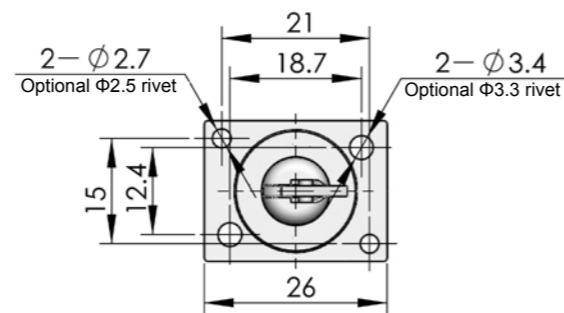
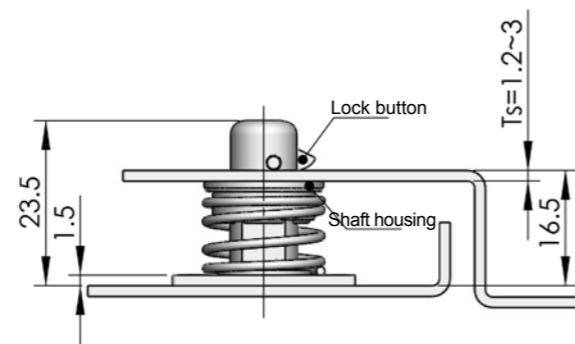


	Without insert	With insert
ERP	DK615Z1A000001	DK615Z1A030001

DK616

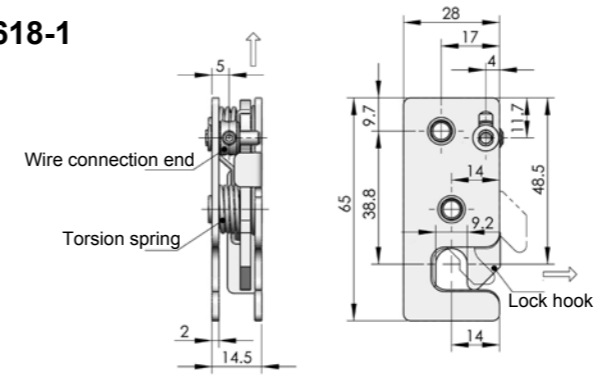


Main material and finish: White zinc plated ZDC housing, stainless steel lock button and spring, plastic seal



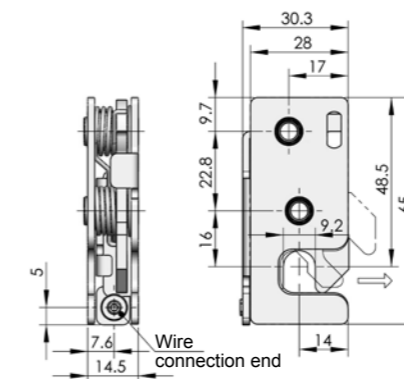
ERP	DK616Z3D000001
-----	----------------

DK618-1



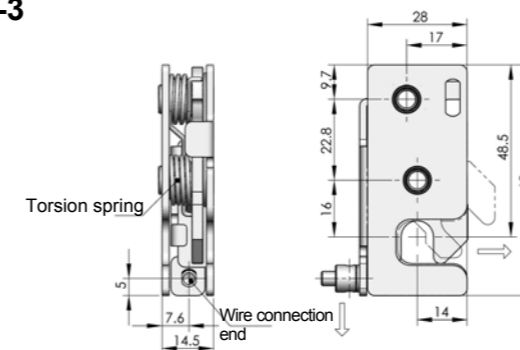
ERP	DK618F3D000001
-----	----------------

DK618-2



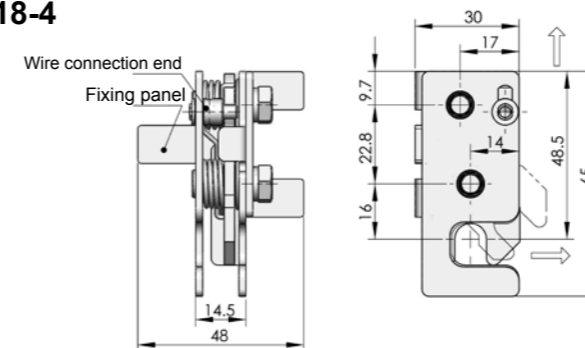
ERP	DK618F3D000002
-----	----------------

DK618-3



ERP	DK618F3D000003
-----	----------------

DK618-4



ERP	DK618F3D000004
-----	----------------

DK618



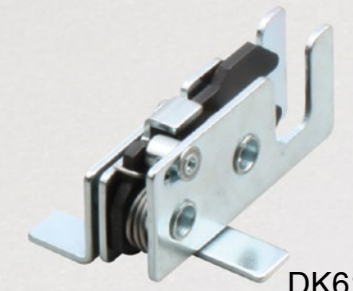
DK618-1



DK618-2



DK618-3



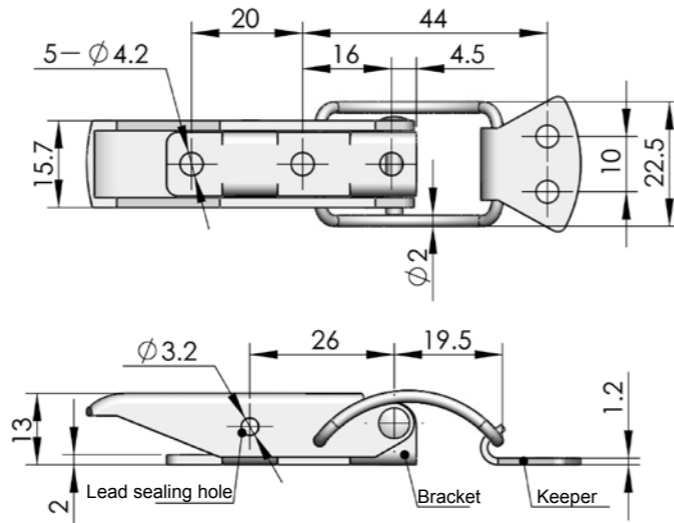
DK618-4

Main material and finish: Zinc plated steel

DK617



Main material and finish: Lapped finished stainless steel

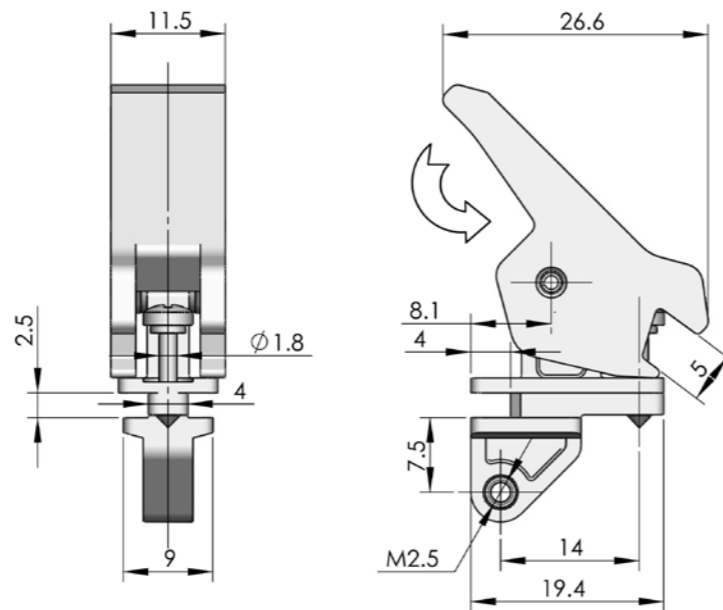


ERP DK617S0000001

DK623

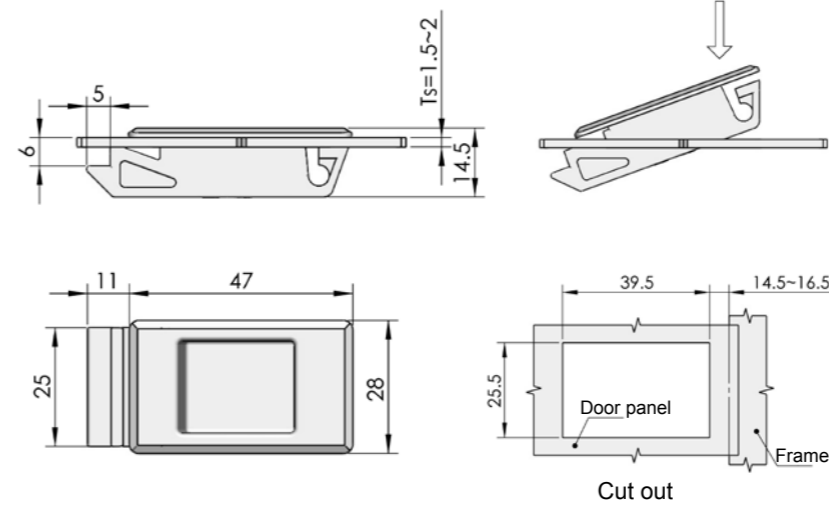


Main material: PBT toggle, stainless steel screw

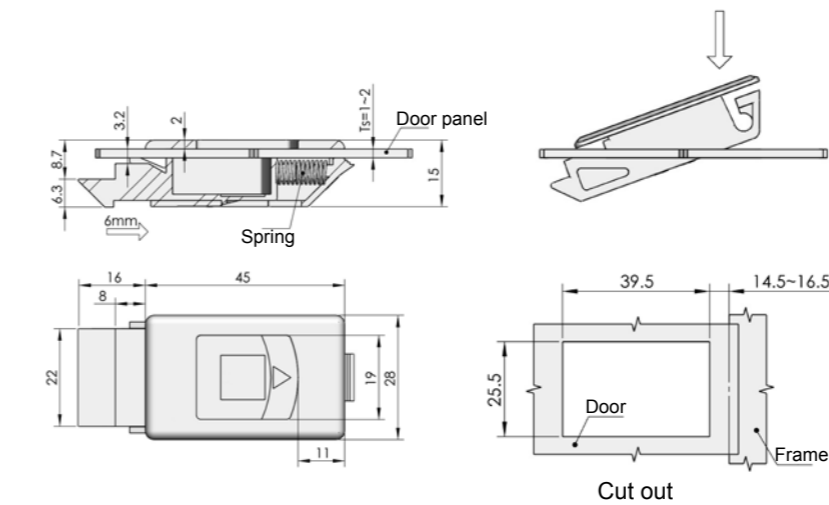


ERP DK623N0000001

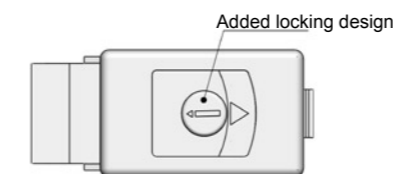
DK725-1
DK725-2



DK725-3B



DK725-3C

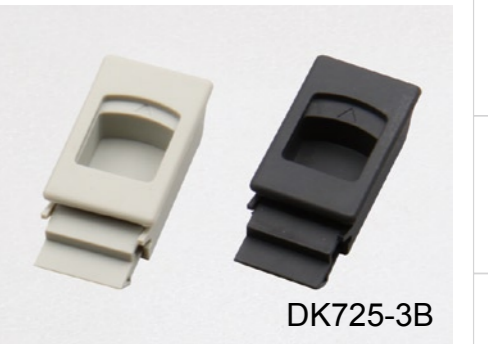


Specification	ERP			
	DK725-1 (T=1.5)	DK725-2 (T=2)	DK725-3B (T=1~2)	DK725-3C (T=1~2)
Silver ABS	DK725N0000001	DK725N0000003	DK725N0000005	
Black ABS	DK725N0000002	DK725N0000004	DK725N0000006	DK725N0000007

DK725



DK725-1
DK725-2



DK725-3B

Main material: ABS toggle or PA toggle