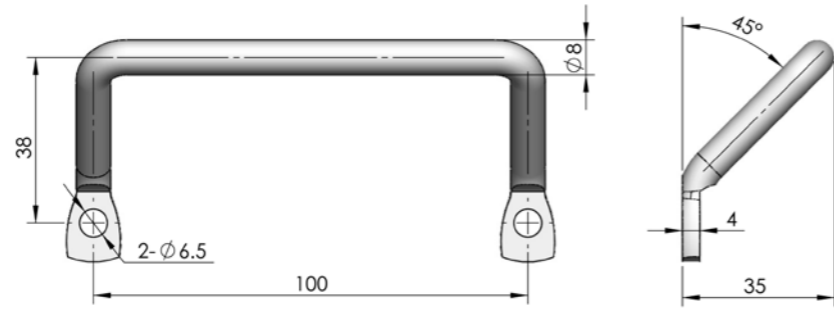


Accessories
Handle lock
Cylinder lock
Electronic lock
Swing handle
Rod control lock
Panel lock
Toggle and hook
Handles
Door stop
Hinge
Seal gasket

**LS531**



**Main material and finish:** Bright chrome plated steel



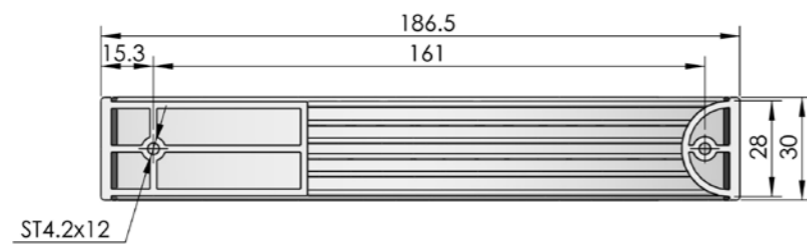
ERP

LS531F3A100001

**LS532**

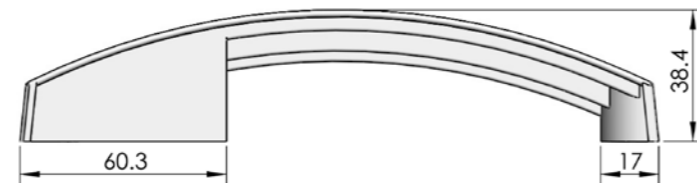


**Main material:** Black PC



ERP

LS532N00000001



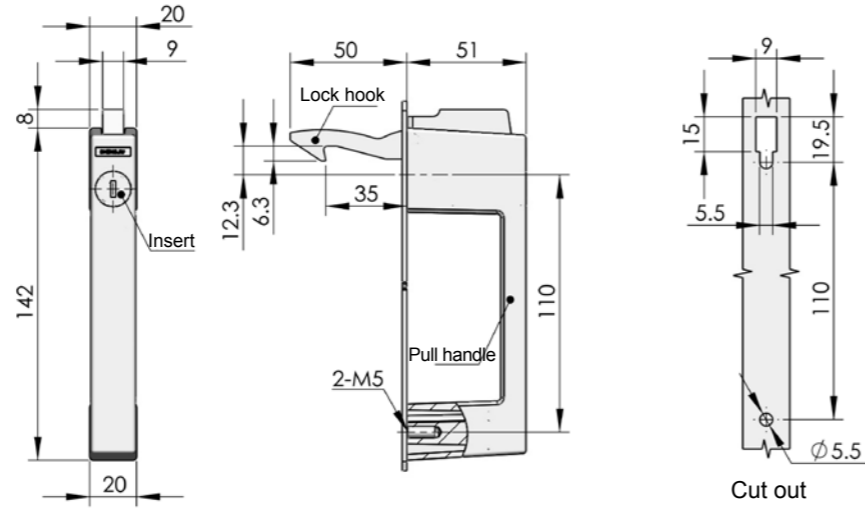
## DOOR STOP SERIES

 <p>TX80 P245</p>	 <p>TX90-1 P246</p>	 <p>TX90-2 P247</p>
 <p>TX90-3 P247</p>	 <p>TX91 P248</p>	 <p>TX92-1 P249</p>
 <p>TX100-A P250</p>	 <p>TX100-B P250</p>	 <p>TX101-1 TX101-2 P251</p>

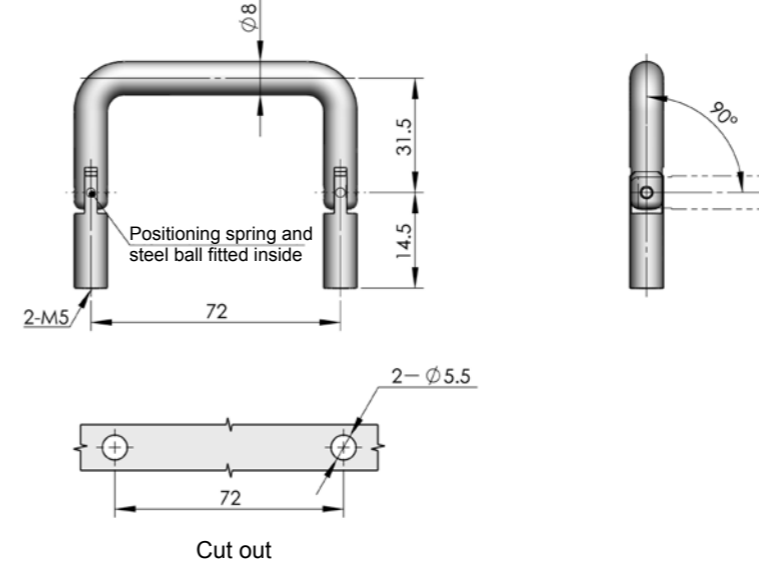
**LS501**



**Main material and finish:** Nanometer painted ZDC pull handle, lock hook and stainless steel spring



ERP	With insert	Without insert
ERP	LS501Z2B110001	LS501Z2B110002



ERP	Stainless steel	Bright chrome-plated steel
ERP	LS503S4A072001	LS503F3A072001

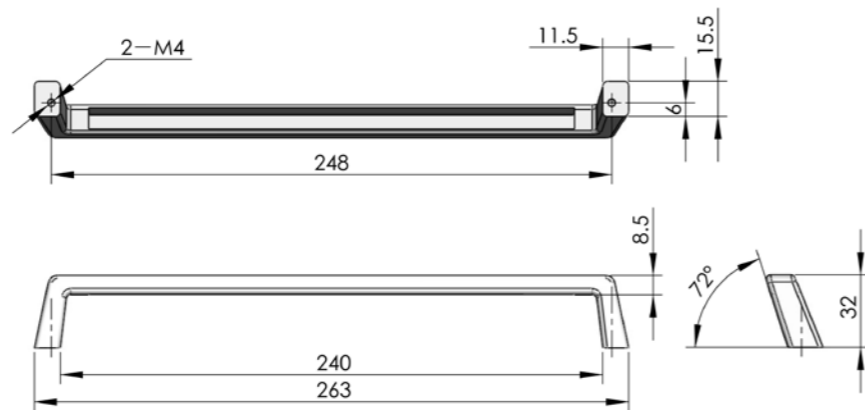
**LS503**



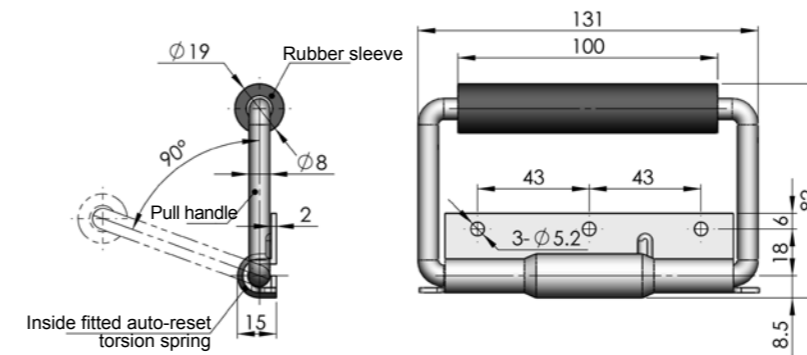
**LS502**



**Main material and finish:** Nanometer painted ZDC pull handle



ERP	LS502Z2B248001
ERP	LS502Z2B248001



ERP	Stainless steel	Steel (Bright chrome)
ERP	LS504S0000001	LS504F3A000001

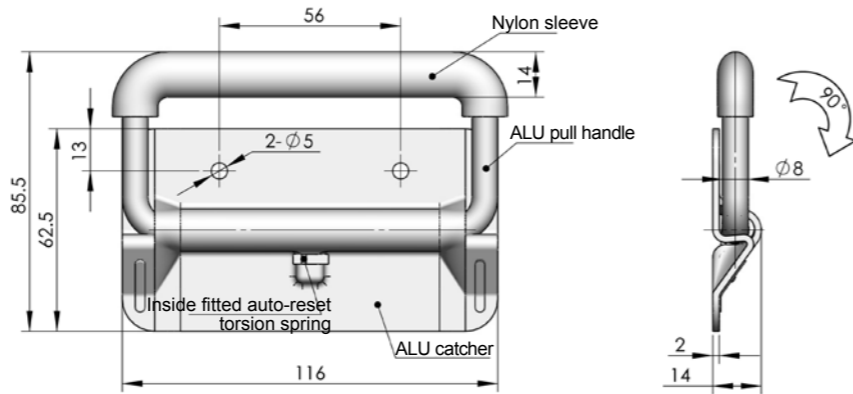
**LS504-1**



**LS504-2**



**Main material and finish:** Aluminium oxide-containing alloy catcher and pull handle, nylon sleeve



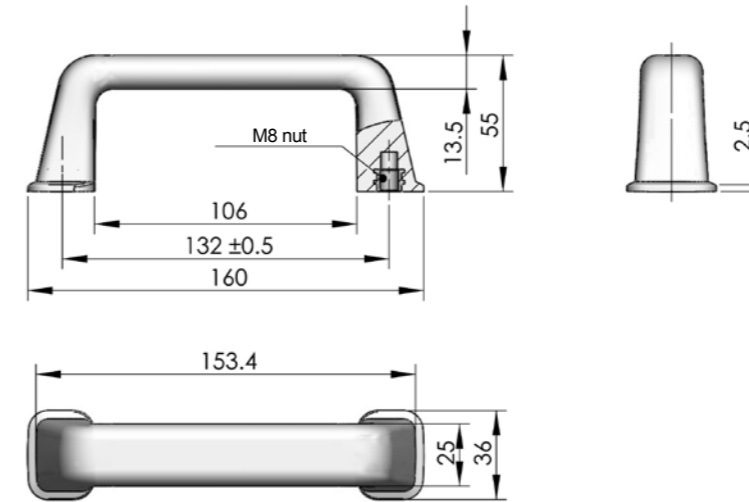
ERP

LS504A9A000001

**LS505**



**Main material:** Black PP



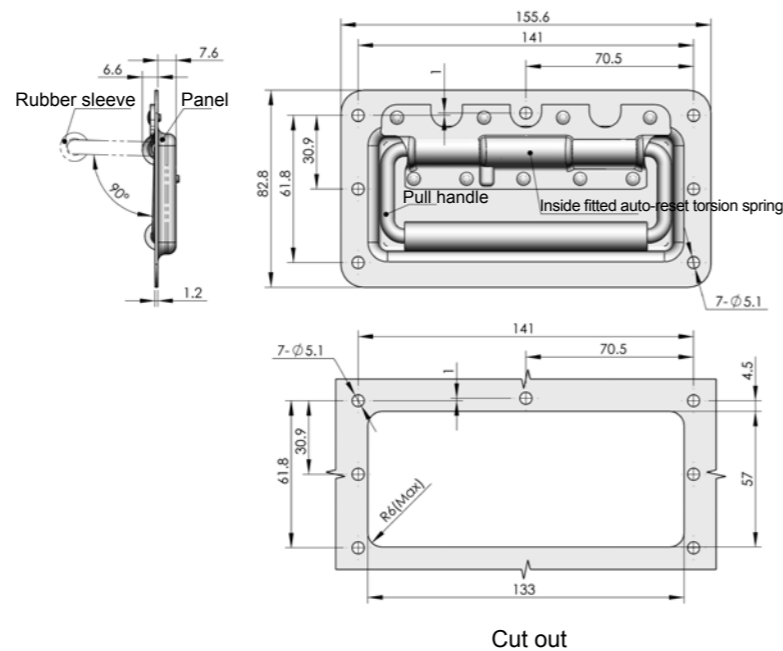
ERP

LS505N00132001

**LS504-3**



**Main material and finish:** Steel recessed panel and pull handle, rubber sleeve, stainless steel spring



ERP

Matt black powder coated  
LS504F1A000001

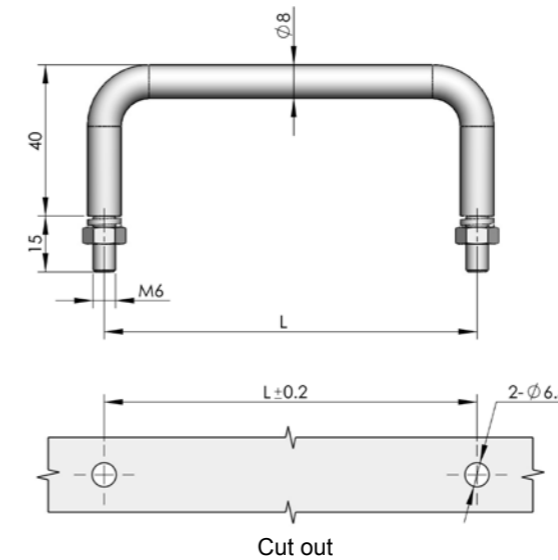
Black painted  
LS504F2A000001

Zinc plated  
LS504F3D000001

**LS507**

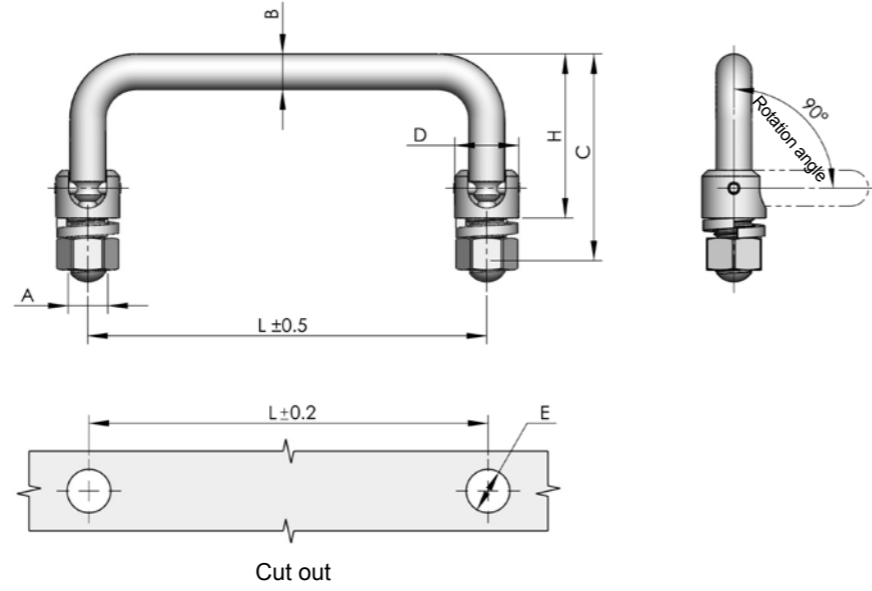


**Main material and finish:** Bright chrome plated stainless steel or steel



Specification	ERP	
	Bright chrome-plated steel	Stainless steel
L=68	LS507F3A068001	LS507S4A068001
L=75	LS507F3A075001	LS507S4A075001
L=100	LS507F3A100001	LS507S4A100001
L=150	LS507F3A150001	LS507S4A150001

LS506

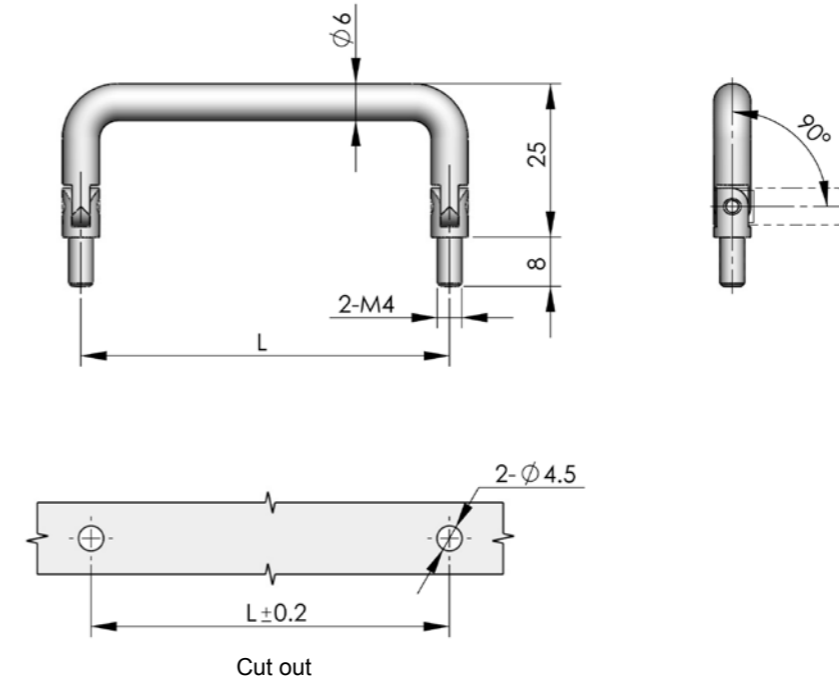


Specification	ERP			
	A=M10 B=Ø9 C=57.5 D=Ø16 H=41.5 E=Ø11 Ts=1~2		A=M6 B=Ø6 C=45 D=Ø11 H=32 E=Ø7 Ts=1~5	
	Stainless steel	Bright chrome-plated steel	Stainless steel	Bright chrome-plated steel
L=55			LS506S4A055001	LS506F3A055001
L=60			LS506S4A060001	LS506F3A060001
L=70			LS506S4A070001	LS506F3A070001
L=84			LS506S4A084001	LS506F3A084001
L=90	LS506S4A090001	LS506F3A090001	LS506S4A090002	LS506F3A090002
L=100	LS506S4A100001	LS506F3A100001		
L=102			LS506S4A102001	LS506F3A102001
L=119	LS506S4A119001	LS506F3A119001		
L=122			LS506S4A122001	LS506F3A122001
L=135	LS506S4A135001	LS506F3A135001		
L=149	LS506S4A149001	LS506F3A149001		
L=155	LS506S4A155001	LS506F3A155001		
L=160	LS506S4A160001	LS506F3A160001		

LS508



Main material: Stainless steel or steel

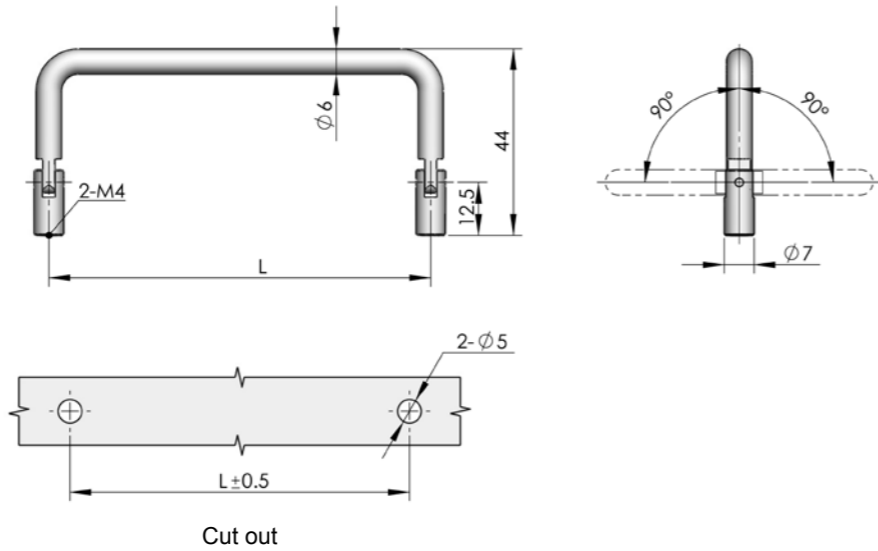


Specification	ERP	
	Bright chrome-plated steel	Stainless steel
L=55	LS508F3A055001	LS508S4A055001
L=60	LS508F3A060001	LS508S4A060001
L=70	LS508F3A070001	LS508S4A070001
L=74	LS508F3A074001	LS508S4A074001
L=84	LS508F3A084001	LS508S4A084001
L=90	LS508F3A090001	LS508S4A090001
L=102	LS508F3A102001	LS508S4A102001
L=122	LS508F3A122001	LS508S4A122001
L=138	LS508F3A138001	LS508S4A138001

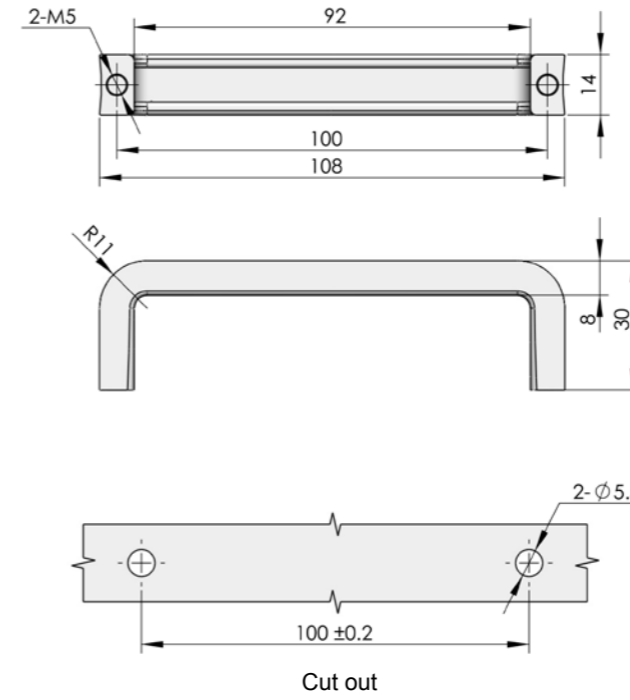
**LS509**



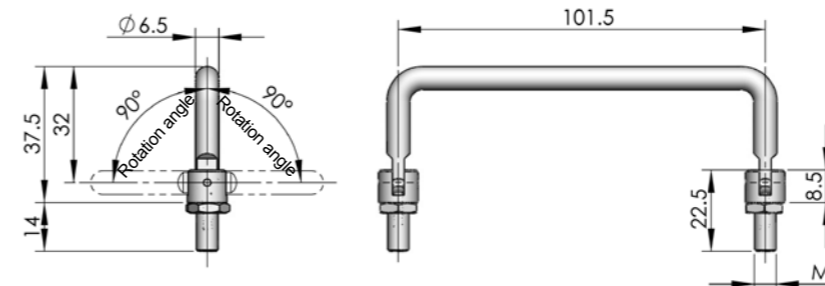
**Main material and finish:** Polished or bright chrome-plated stainless steel or steel



Specification	ERP	
	Bright chrome-plated steel	Stainless steel
L=55	LS509F3A055001	LS509S4A055001
L=60	LS509F3A060001	LS509S4A060001
L=70	LS509F3A070001	LS509S4A070001
L=74	LS509F3A074001	LS509S4A074001
L=84	LS509F3A084001	LS509S4A084001
L=90	LS509F3A090001	LS509S4A090001
L=102	LS509F3A102001	LS509S4A102001
L=122	LS509F3A122001	LS509S4A122001
L=138	LS509F3A138001	LS509S4A138001



	Bright chrome-plated steel	Nanometer painted
ERP	LS510Z3A100001	LS510Z2B100001



ERP	LS515F1A102001
-----	----------------

**LS510**



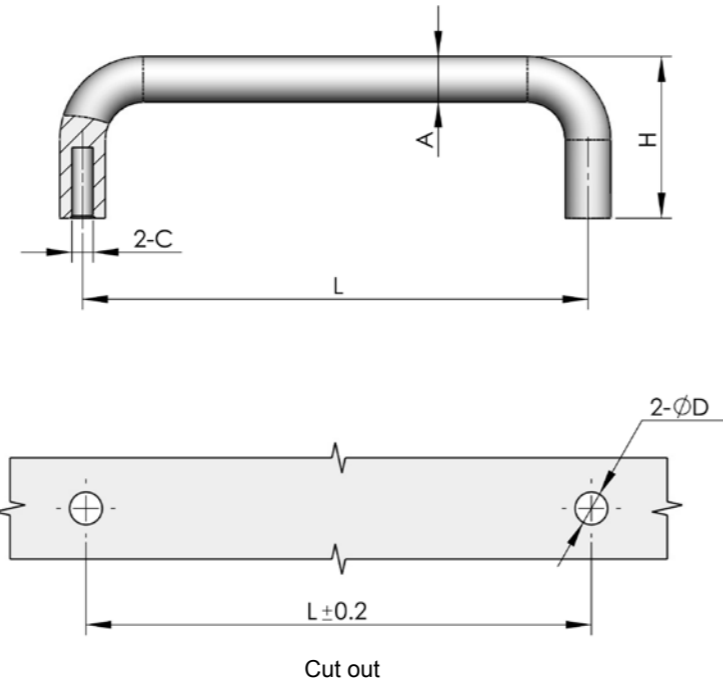
**Main material:** ZDC

**LS515**



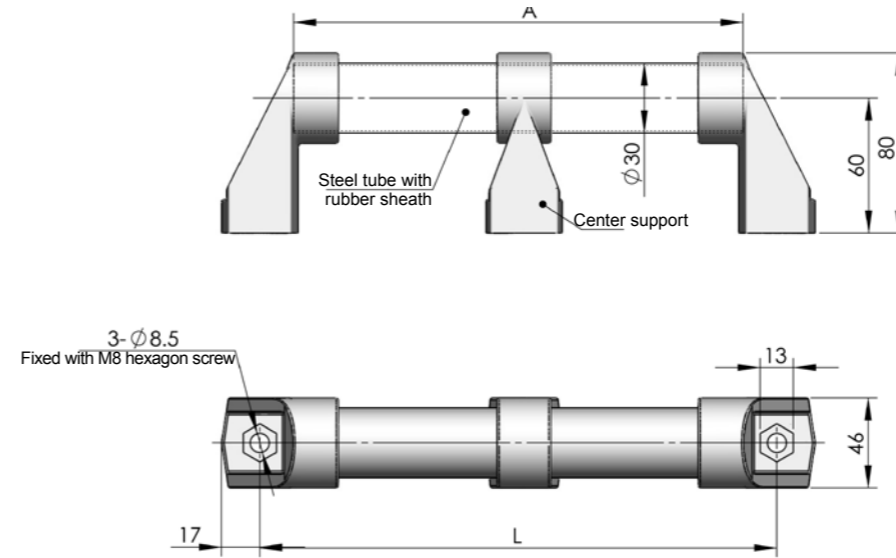
**Main material and finish:** Black powder coated steel

LS511



ERP			Specification				
Bright chrome-plated steel	Stainless steel (mirror polished)	Bright chrome-plated ZDC	L	A	H	C	D
LS511F3A055001	LS511S4A055001		55	6	26	M4	Ø4.5
LS511F3A060001	LS511S4A060001		60	6	26	M4	Ø4.5
LS511F3A070001	LS511S4A070001		70	6	32	M4	Ø4.5
LS511F3A082001	LS511S4A082001		82	6	26	M4	Ø4.5
LS511F3A090001	LS511S4A090001		90	6	32	M4	Ø4.5
LS511F3A102001	LS511S4A102001		102	6	32	M4	Ø4.5
LS511F3A122001	LS511S4A122001		122	6	32	M4	Ø4.5
LS511F3A138001	LS511S4A138001		138	6	32	M4	Ø4.5
LS511F3A075001	LS511S4A075001		75	8	40	M5	Ø6
LS511F3A100001	LS511S4A100001		100	8	32	M5	Ø6
LS511F3A150001	LS511S4A150001		150	8	40	M5	Ø6
LS511F3A090002	LS511S4A090002		90	9	32	M5	Ø6
LS511F3A100002	LS511S4A100002		100	9	32	M5	Ø6
LS511F3A119001	LS511S4A119001		119	9	40	M5	Ø6
LS511F3A135001	LS511S4A135001		135	9	32	M5	Ø6
LS511F3A149001	LS511S4A149001		149	9	40	M5	Ø6
LS511F3A155001	LS511S4A155001		155	9	32	M5	Ø6
LS511F3A160001	LS511S4A160001		160	9	40	M5	Ø6
		LS511Z3A101001	101	9	29	M5	Ø6
		LS511Z3A120001	120	10	37	M6	Ø7
		LS511Z3A180001	180	12	45	M5	Ø7

LS513



**Main material and finish:** Rubber sheath, steel tube, black PA end pieces and center support

ERP	Specification	
	L	A
LS513N00300001	300	266
LS513N00400001	400	366
LS513N00500001	500	466
LS513N00600001	600	566
LS513N00700001	700	666
LS513N00800001	800	766
LS513N00900001	900	866
LS513N00000A01	1000	966
LS513N00000B01	2000	1966

Accessories  
Handle lock  
Cylinder lock  
Electronic lock  
Swing handle  
Rod control lock  
Panel lock  
Toggle and hook  
Handles  
Door stop  
Hinge  
Seal gasket

**LS514-1**



**Main material and finish:** Bright chrome plated ZDC

**LS514-2**



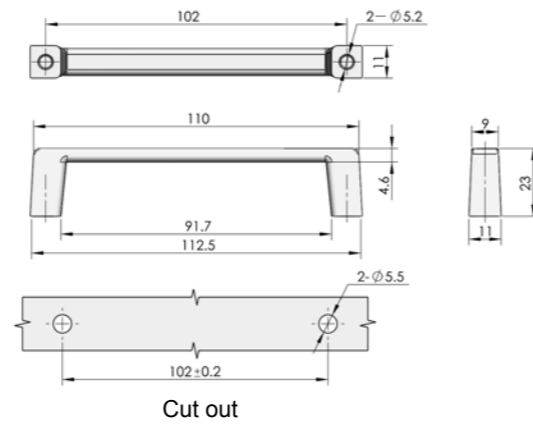
**Main material and finish:** Nanometer painted ZDC

**LS514-3-4-5**



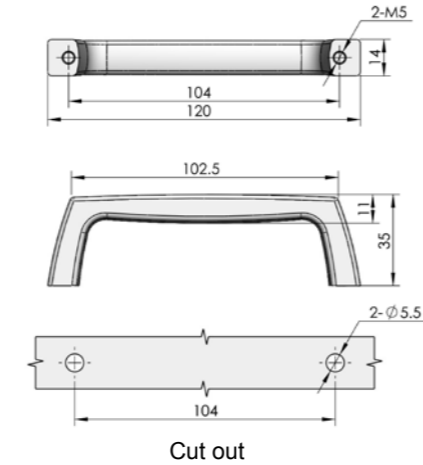
**Main material and finish:** Nanometer painted aluminium alloy

**LS514-1**



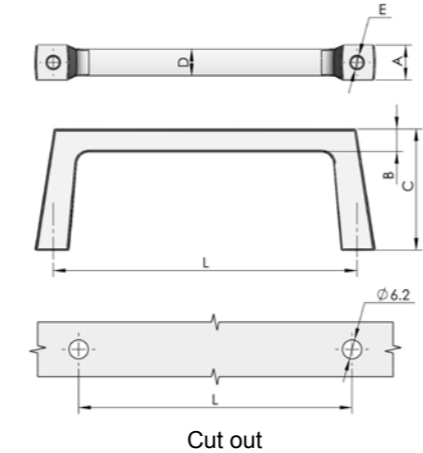
ERP	LS514Z3A102001
-----	----------------

**LS514-2**

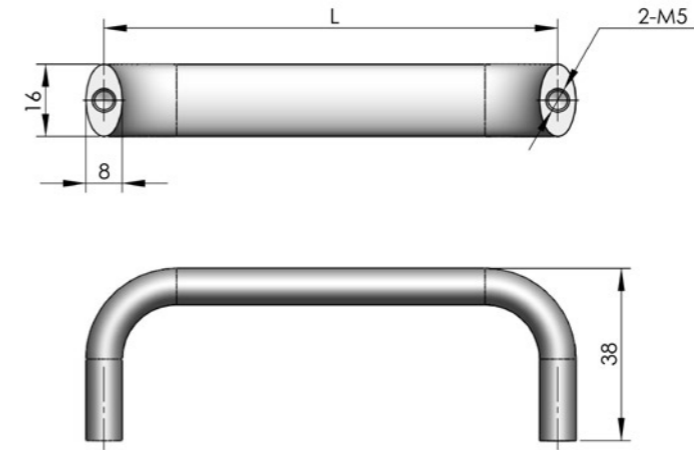


ERP	LS514Z2B104001
-----	----------------

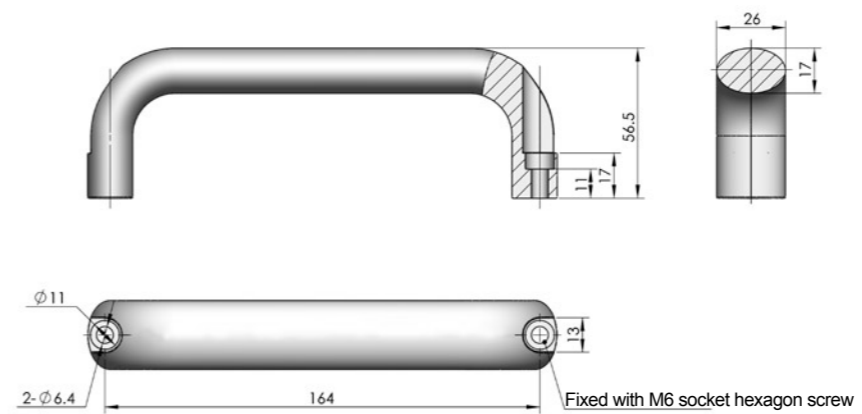
**LS514-3-4-5**



ERP	Specification					
	A	B	C	D	L	E
LS514A2B100001	10.5	7	32	8	100	2-M6
LS514A2B125001	14.5	9.5	50	11	125	2-M6
LS514A2B130001	18.5	9.5	40	16	130	2-M6



ERP	Specification
	L
LS516A1A075001	75
LS516A1A100001	100
LS516A1A125001	125
LS516A1A150001	150
LS516A1A175001	175



ERP	LS516A1A164001
-----	----------------

**LS516**



**Main material and finish:** Matt black powder coated aluminium alloy

**LS516-2A**



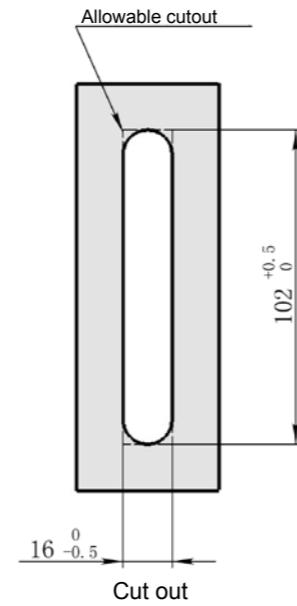
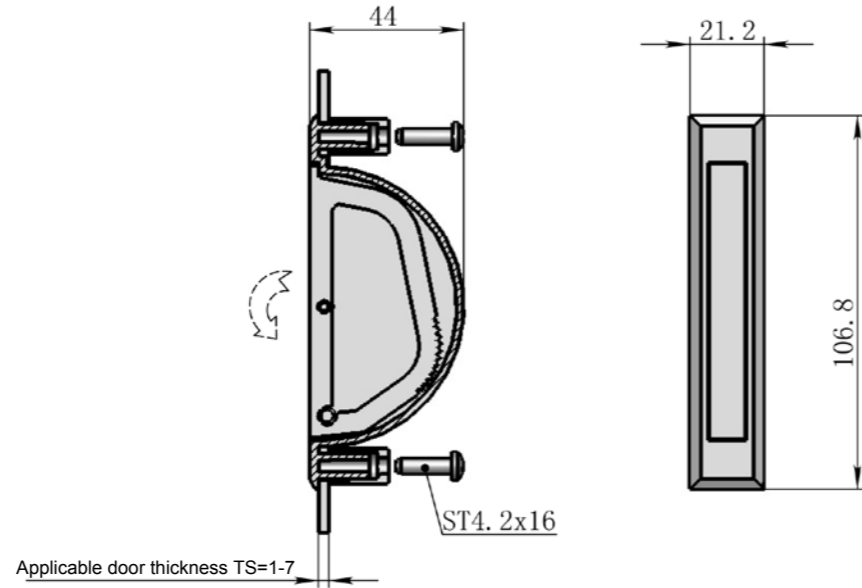
**Main material and finish:** Black powder coated aluminium alloy

Accessories  
Handle lock  
Cylinder lock  
Electronic lock  
Swing handle  
Rod control lock  
Panel lock  
Toggle and hook  
Handles  
Door stop  
Hinge  
Seal gasket

**LS538**



**Main material and finish:** Black POM housing and support, black powder coated ZDC handle, steel lock screw, shaft and spring  
**Application:** Handle max rotation angle 168 degree

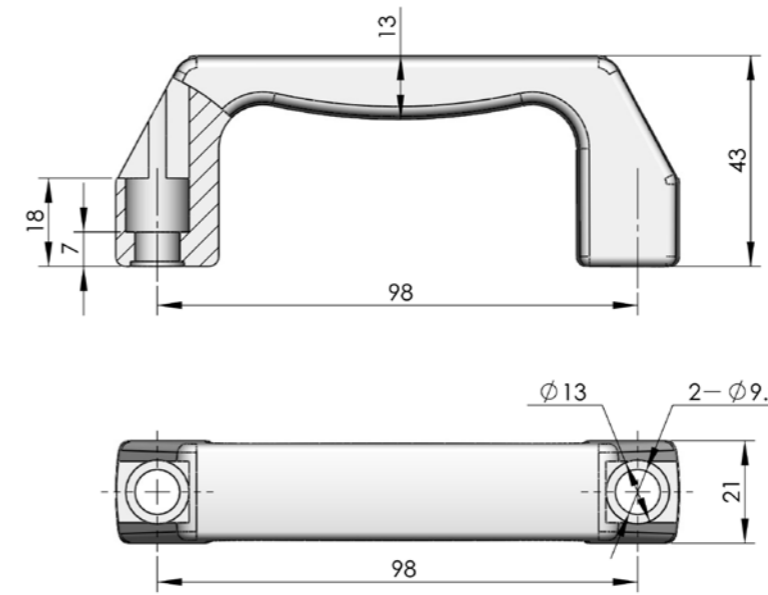


ERP LS538N00000001

**LS520**



**Main material and finish:** Black ABS

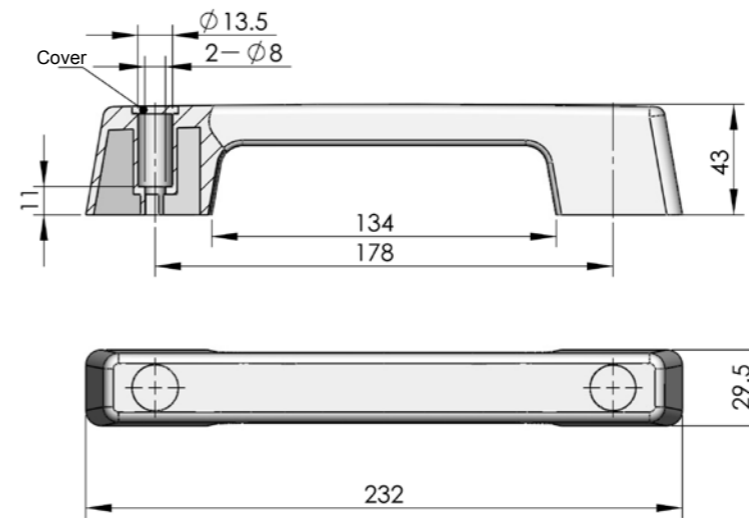


ERP LS520N00098001

**LS521**



**Main material and finish:** Black plastic



ERP LS521N00178001



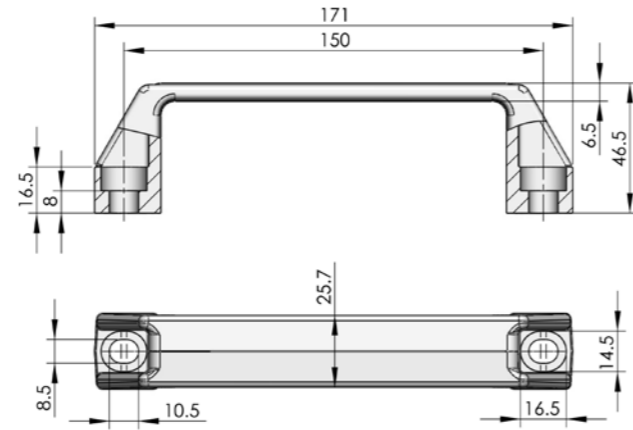
Accessories  
Handle lock  
Cylinder lock  
Electronic lock  
Swing handle  
Rod control lock  
Panel lock  
Toggle and hook  
Handles  
Door stop  
Hinge  
Seal gasket

**LS522**



Main material and finish: Black PA

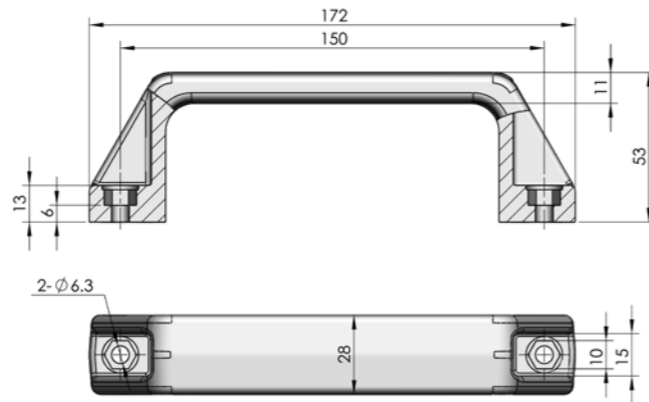
**LS522-1**



ERP

LS522N00150001

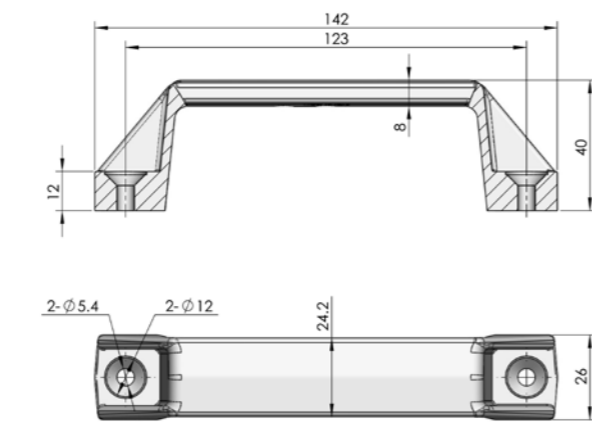
**LS522-2**



ERP

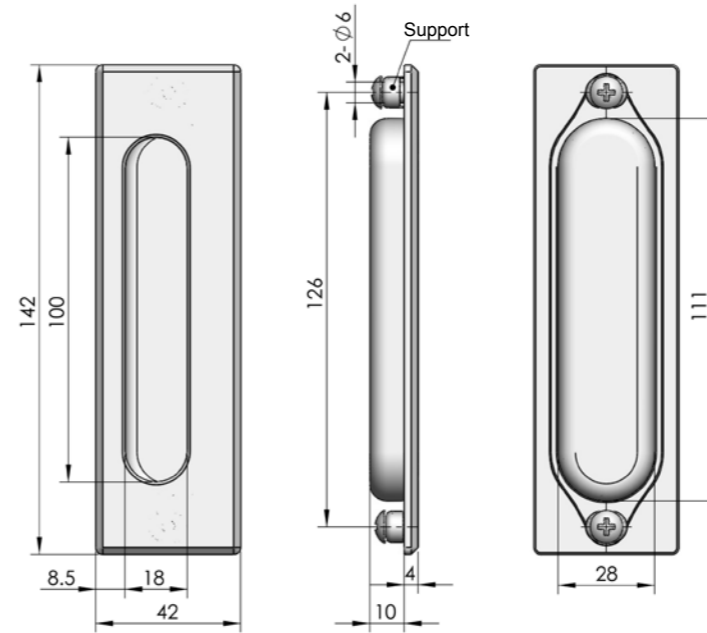
LS522N00150002

**LS522-3**



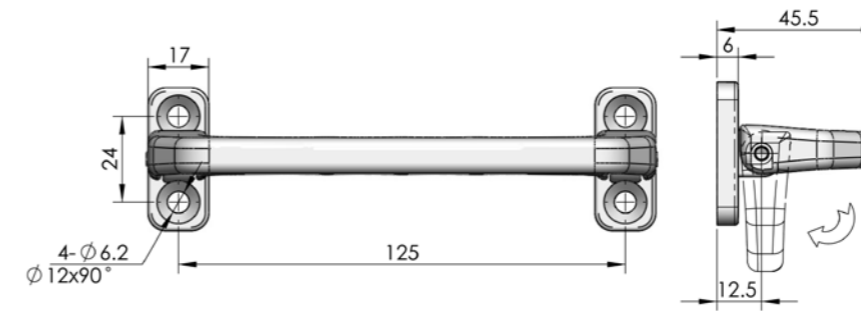
ERP

LS522N00123001



ERP

LS523Z3A126001



ERP

LS527A1E125001

**LS523**



Main material and finish: Bright chrome plated ZDC

**LS527**



Main material and finish: Yellow-grey powder coated aluminium alloy

Accessories  
Handle lock  
Cylinder lock  
Electronic lock  
Swing handle  
Rod control lock  
Panel lock  
Toggle and hook  
Handles  
Door stop  
Hinge  
Seal gasket