

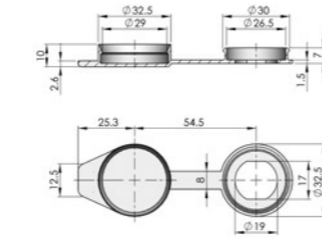
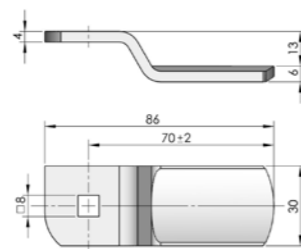
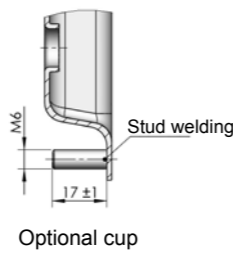
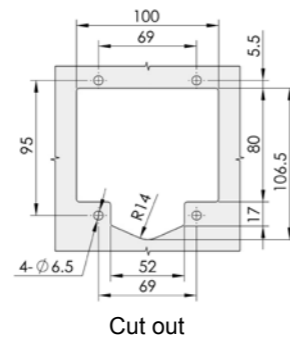
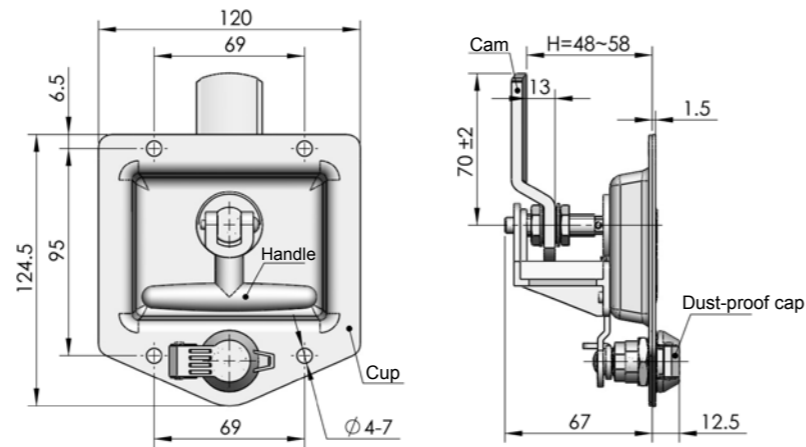
**MS858**



**Main material and finish:** Mirror polished stainless steel cup and cam, bright chrome-plated ZDC handle, shaft tube and dust-proof cap, white zinc-plated ZDC bracket and steel shaft

**Remarks:** Default key K130

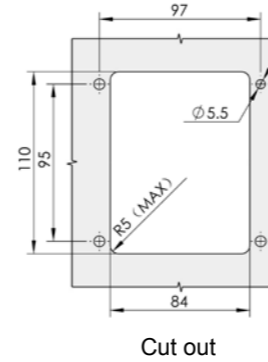
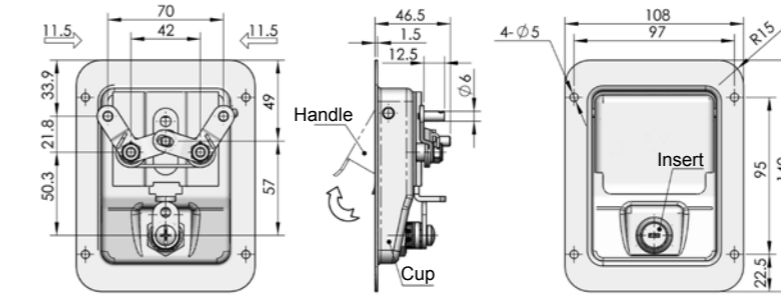
**Default cam:** S1B70Y13002



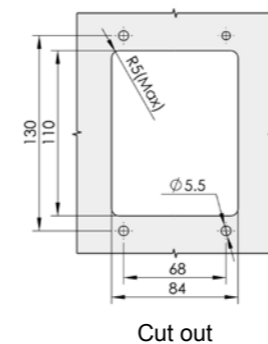
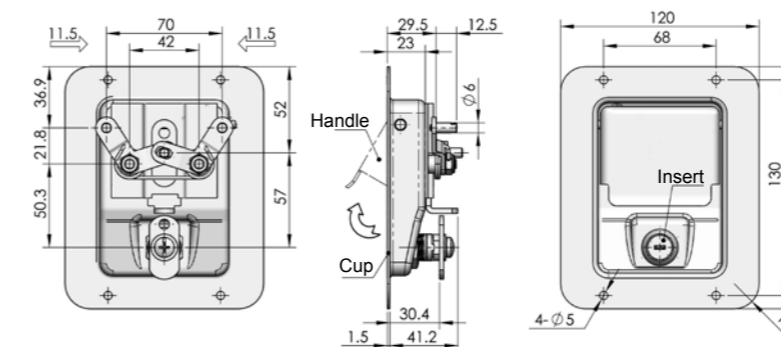
	Hole type	Screw bolt type
ERP	MS858S4A130001	MS858S4A130002

Remarks : ERP excludes Cam

**MS866-1**

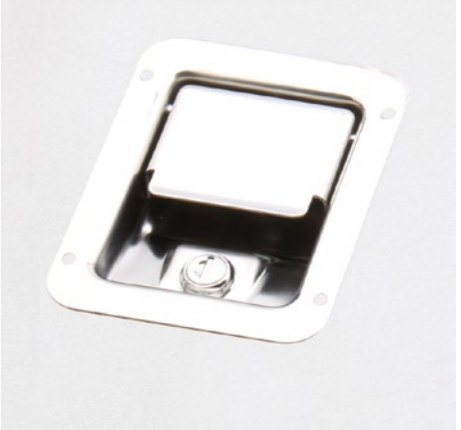


**MS866-2**

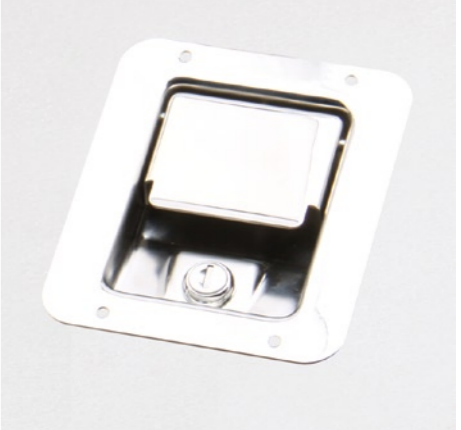


	MS866-1	MS866-2
ERP	MS866S4A082001	MS866S4A082002

**MS866-1**



**MS866-2**



**Main material and finish:** Mirror polished stainless steel cup and handle, bright chrome-plated ZDC profile cylinder, zinc-plated other parts

**Remarks:** Default key K082