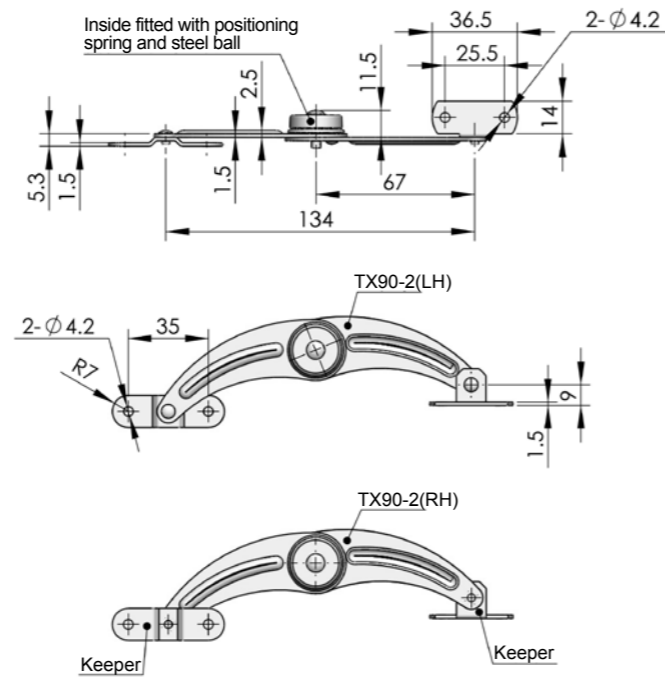


- Accessories
- Handle lock
- Cylinder lock
- Electronic lock
- Plane lock
- Rod control lock
- Panel lock
- Toggle and hook
- Handles
- Door stop
- Hinge
- Seal gasket

TX90-2



Main material and finish: Bright chrome plated steel

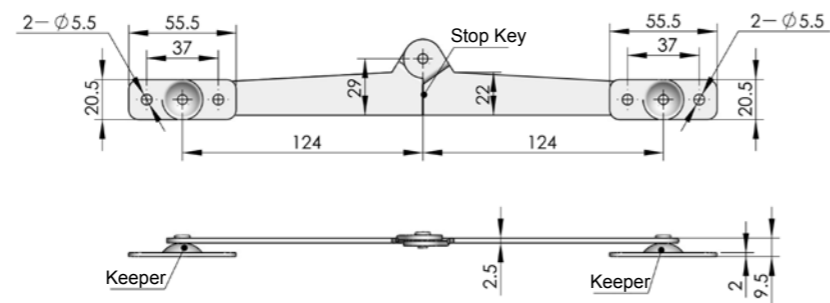


	LH	RH
ERP	TX090F3A008	TX090F3A009

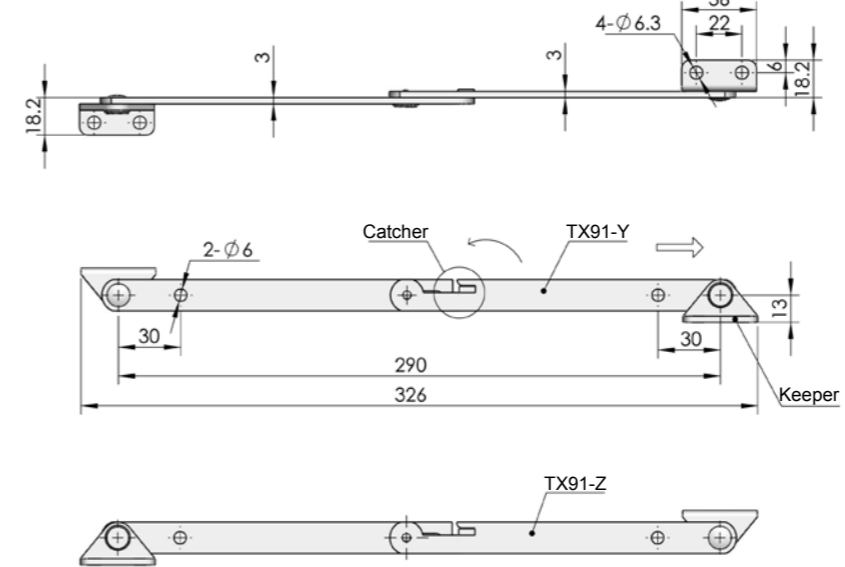
TX90-3



Main material and finish: Nickel plated steel



	LH	RH
ERP	TX090F3A011	TX090F3A015



	LH	RH
ERP	TX091S00002	TX091S00001

TX91



Main material and finish: Stainless steel

- Accessories
- Handle lock
- Cylinder lock
- Electronic lock
- Plane lock
- Rod control lock
- Panel lock
- Toggle and hook
- Handles
- Door stop
- Hinge
- Seal gasket