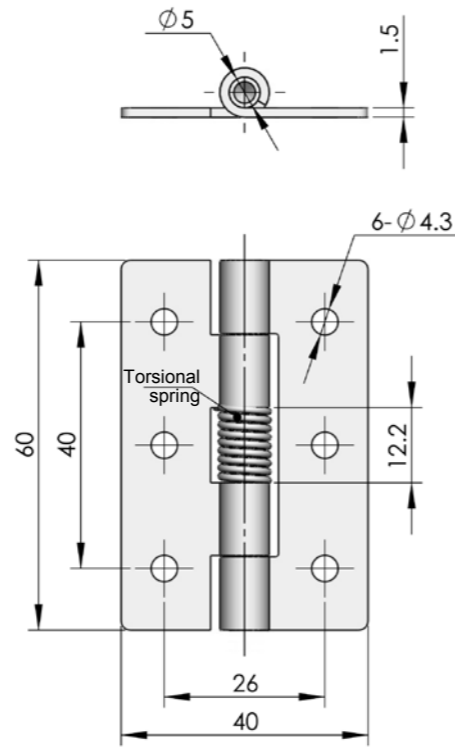


**CL253-6**

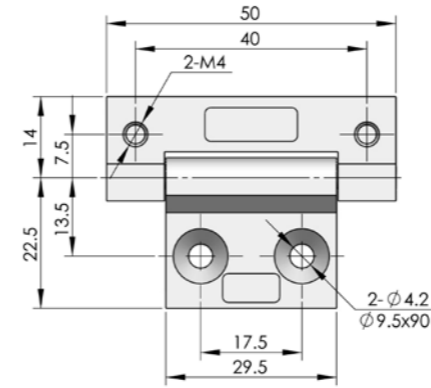


**Main material and finish:** Mirror polishing stainless steel hinge  
**Application:** Opening angle 180°



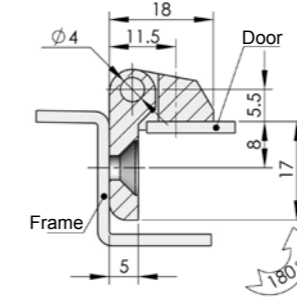
ERP

CL253S4A005



ERP

CL254Z1A001



**CL254**

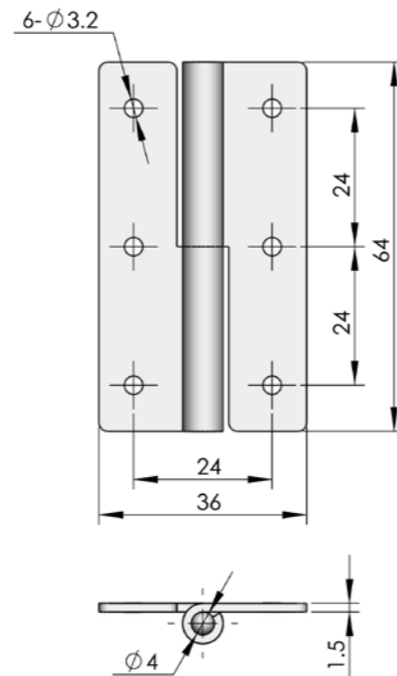


**Main material and finish:** Black powder coated ZDC hinge, nickel plated steel pin  
**Application:** Opening angle 180°

**CL253-7**



**Main material and finish:** Mirror polishing stainless steel hinge  
**Application:** Opening angle 180°



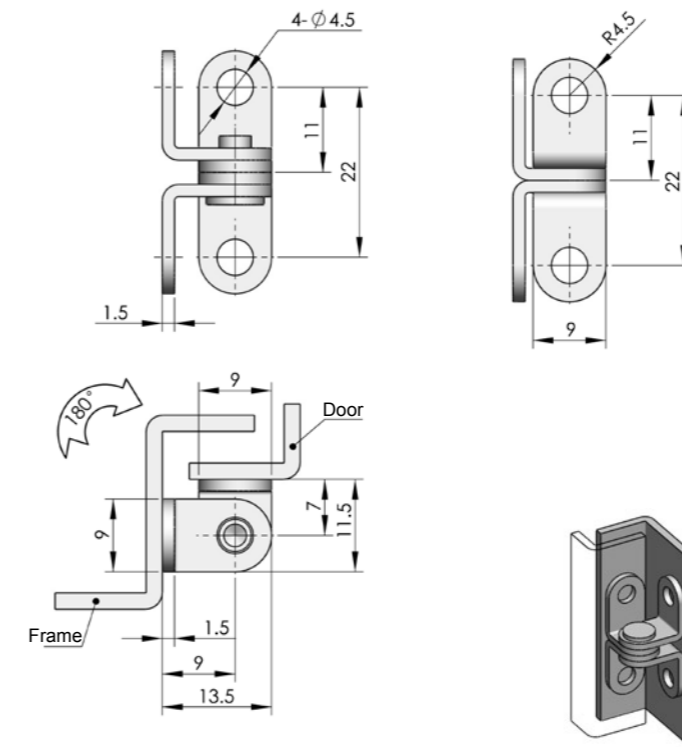
ERP

RH

CL253S4A006

LH

CL253S4A007



ERP

CL256F3D001

**CL256**



**Main material and finish:** White zinc-plated steel hinge  
**Application:** Opening angle 120°