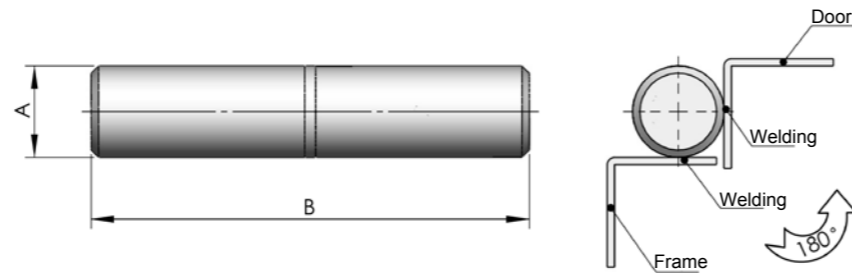


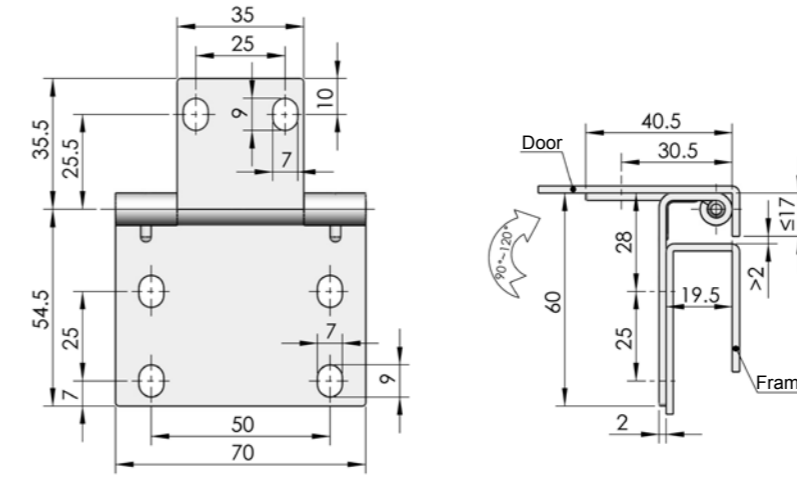
CL270



Main material and finish: White zinc-plated steel hinge



ERP	A	B	C
CL270F3D001	d26	150	75
CL270F3D002	d25	120	60
CL270F3D003	d14	120	60
CL270F3D004	d10	60	30



ERP CL273F3D001

CL273

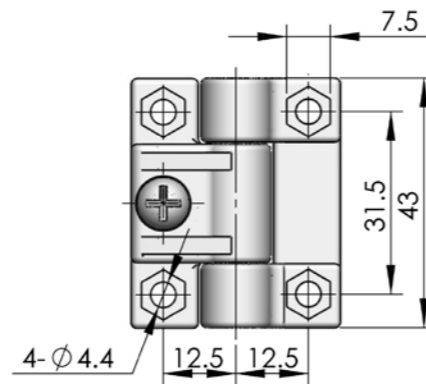
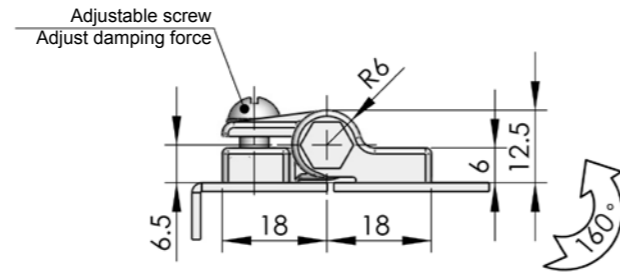


Main material and finish: White zinc-plated steel hinge
Application: Opening angle 90°~120°

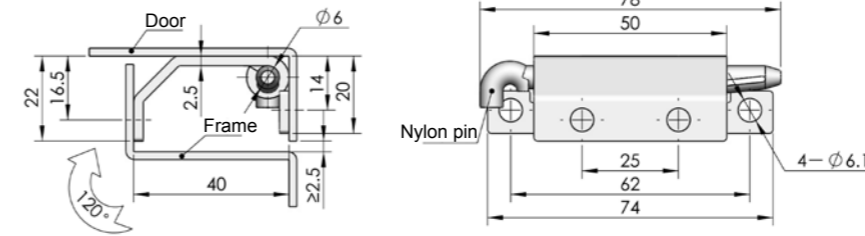
CL272



Main material and finish: Black PA hinge, steel screw, PC shaft
Application: Opening angle 160°



ERP CL272N00001



ERP CL274F3D001

CL274



Main material and finish: White zinc-plated steel hinge
Application: Opening angle 120°

