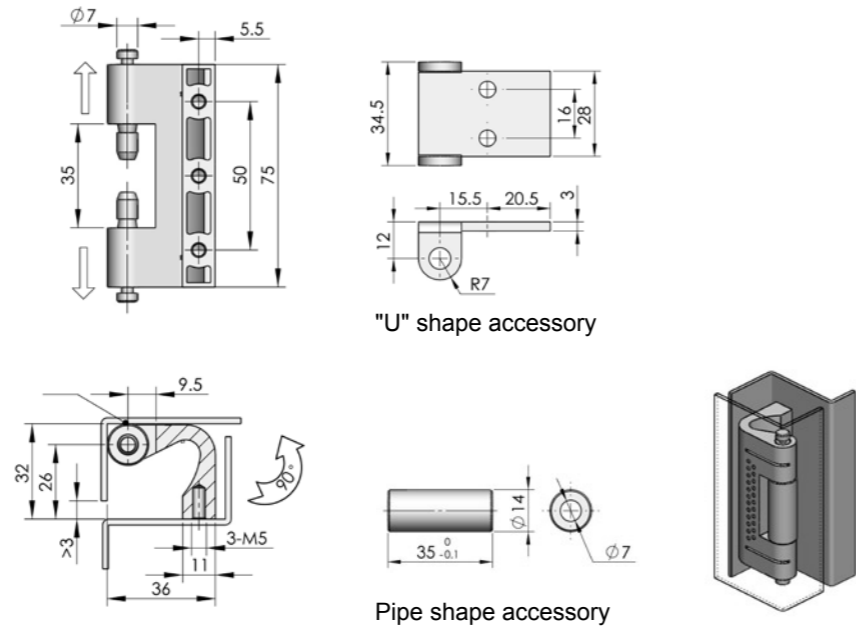


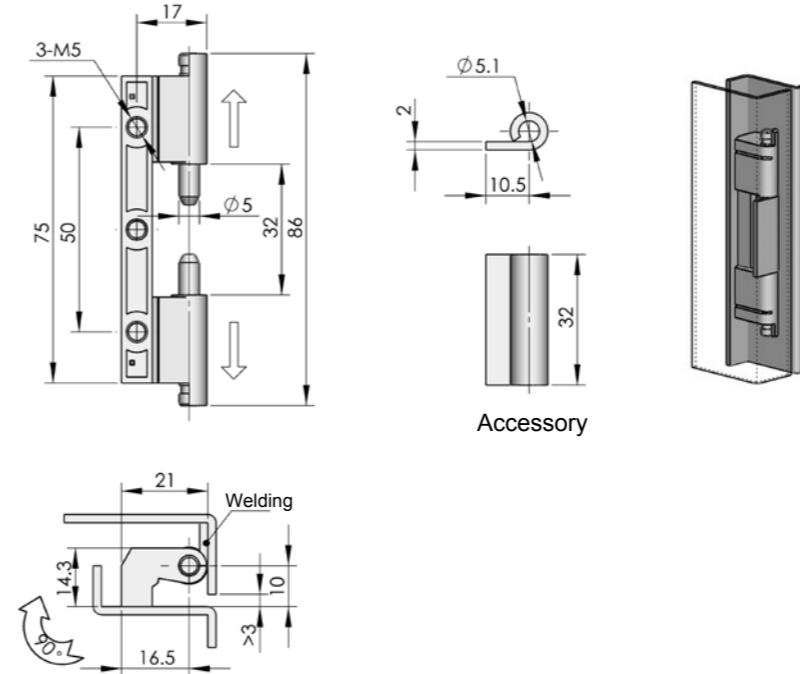
CL201-4



Main material and finish: ZDC hinge, steel pin and accessories
Application: Opening degree 90°



	Black powder coated	Nanometer painted	Blast sprayed
ERP	CL201Z2A015	CL201Z2B009	CL201Z4D012



	Nanometer painted	Blast sprayed
ERP	CL201Z2B011	CL201Z4D017

CL201-6

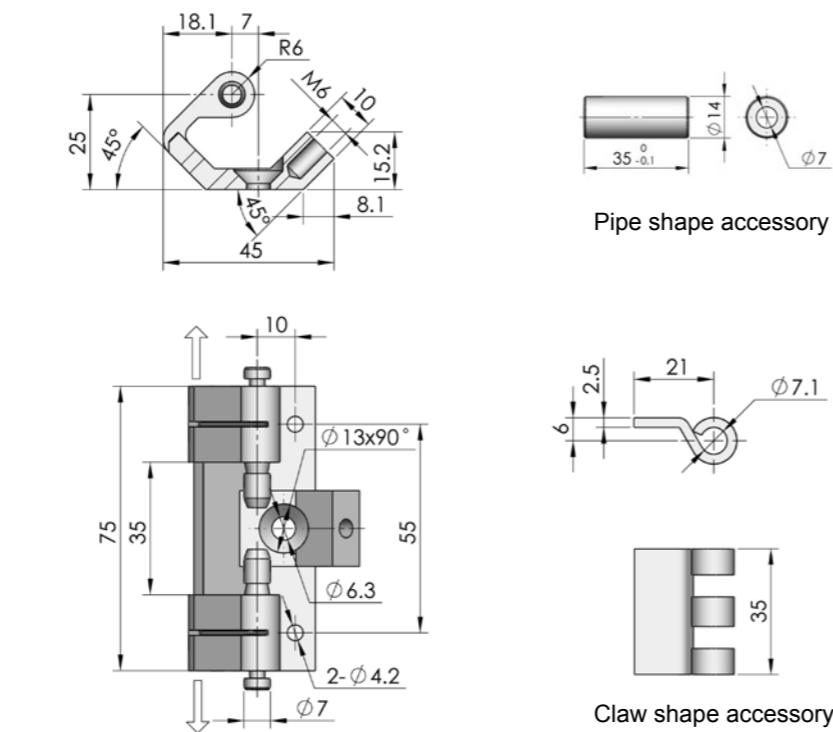


Main material and finish: ZDC hinge, steel pin and accessories
Application: Opening degree 90°

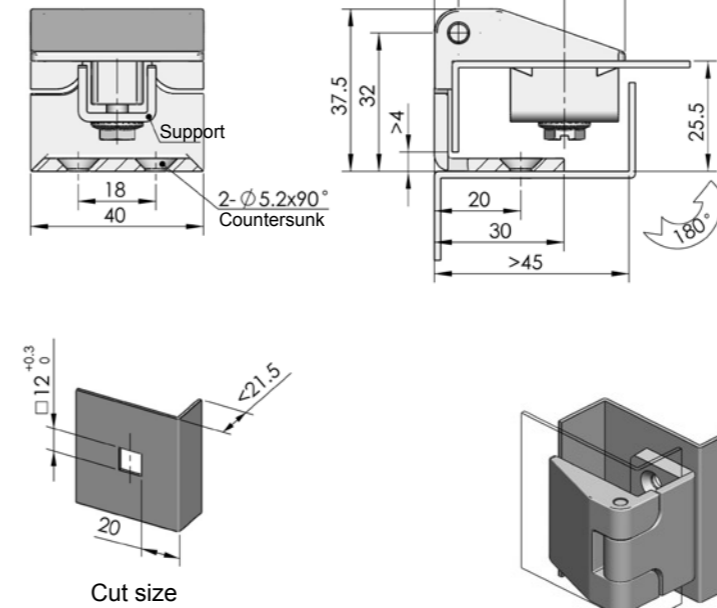
CL201-5



Main material and finish: ZDC hinge, steel pin and accessories



	Black powder coated	Blast sprayed
ERP	CL201Z2A013	CL201Z4D015



	Black powder coated	Nanometer painted
ERP	CL202Z1A001	CL202Z2B001

CL202-1



Main material and finish: ZDC door-part, steel frame-part and pin
Application: Opening degree 180°