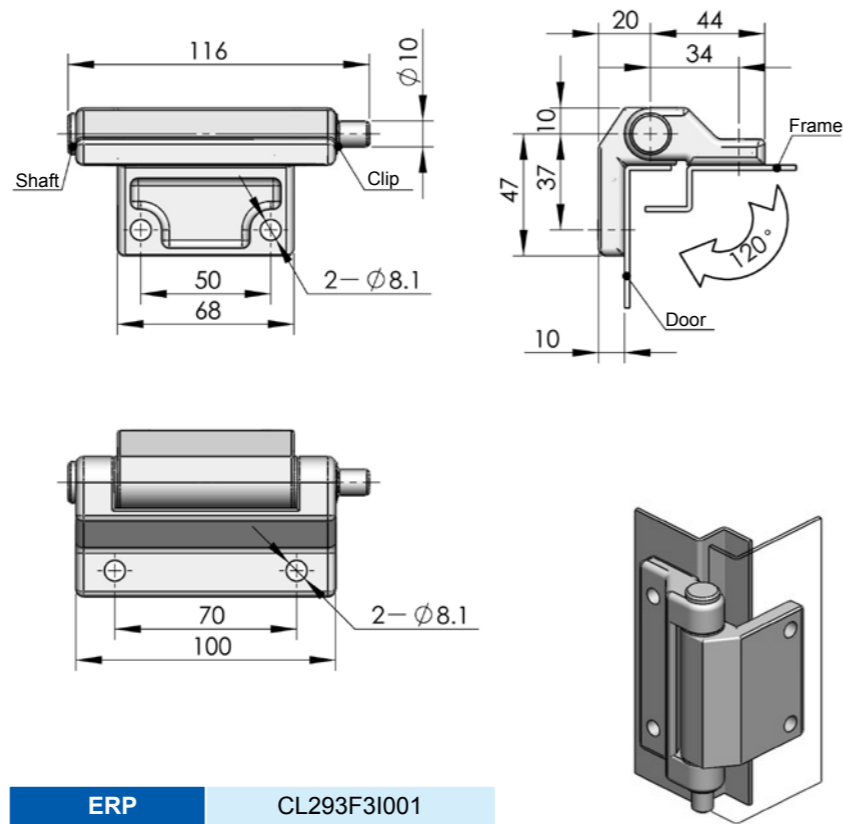


**CL293**



**Main material and finish:** Sand-spraying and nickle-plated casting steel hinge  
**Application:** Opening angle 120°



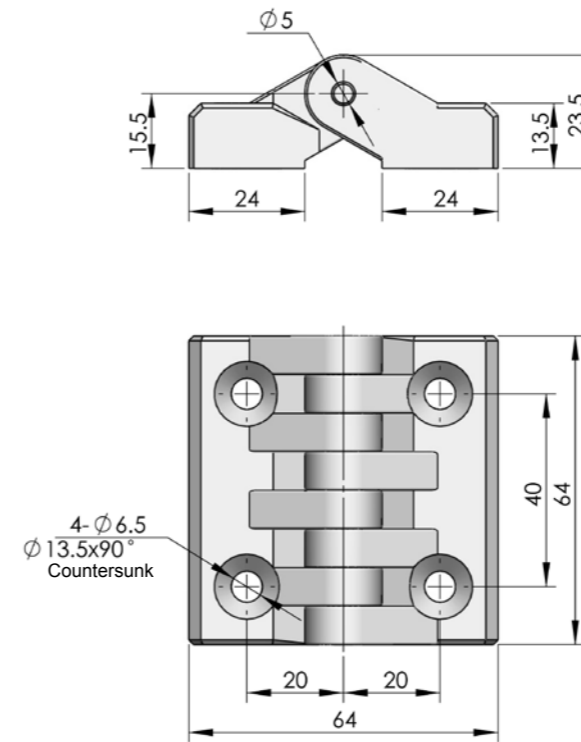
ERP

CL293F3I001

**CL295**



**Main material and finish:** Black PA hinge, white zinc plated steel pin  
**Application:** Opening angle 180°



ERP

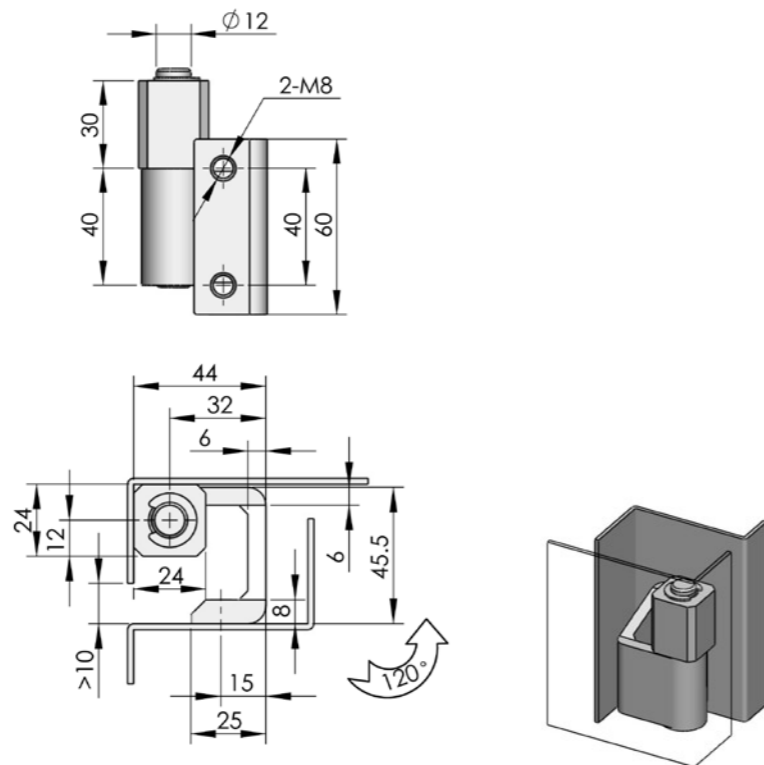
CL295N00001

**CL294**



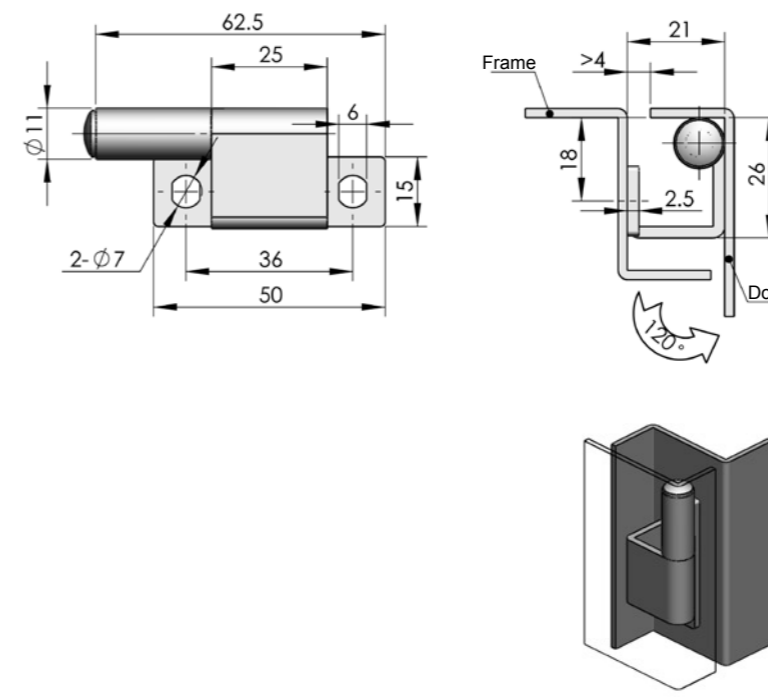
**INOX**  
AISI  
3..

**Main material and finish:** Stainless steel hinge  
**Application:** Opening angle 120°



ERP

CL294S00001



ERP

CL296F3D001

**CL296**



**Main material and finish:** White zinc-plated steel hinge  
**Application:** Opening angle 120°