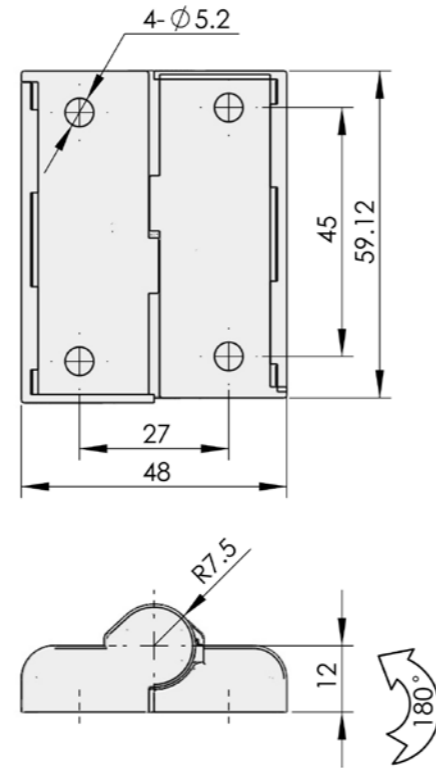


CL299-1-Z



Main material and finish: Nanometer painted ZCD hinge and stainless steel shaft

Application: Opening angle 180°



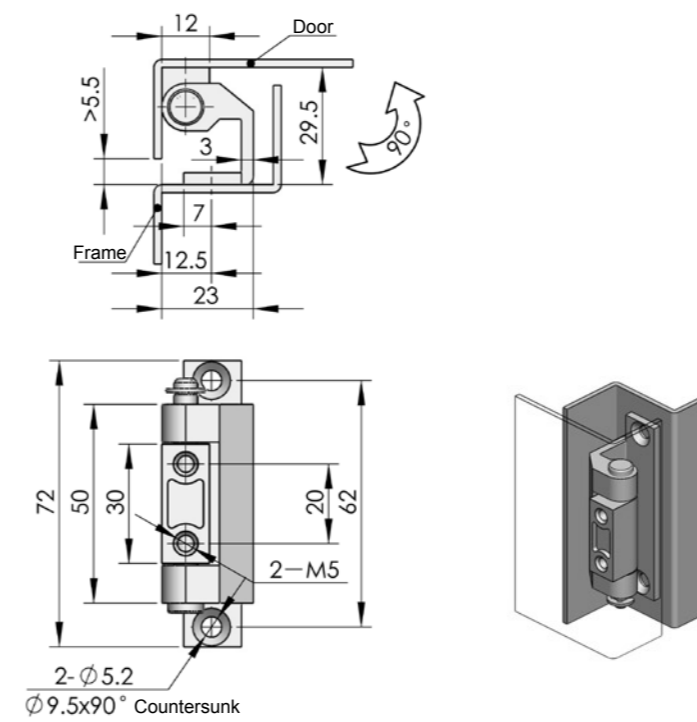
ERP	CL299Z2B001
-----	-------------

CL332



Main material and finish: Black powder coated ZDC hinge and nicked plated steel pin

Application: Opening angle 90°



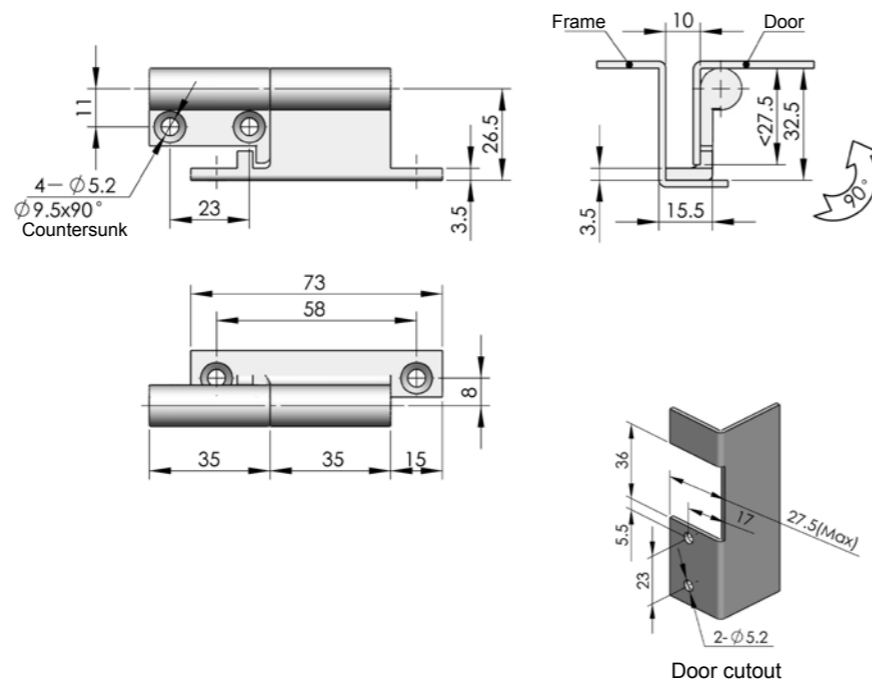
ERP	Nanometer painted	Black powder coated
ERP	CL332Z2B001	CL332Z1A001

CL331



Main material and finish: Nanometer painted ZDC hinge and nickel plated steel pin

Application: Opening angle 90°



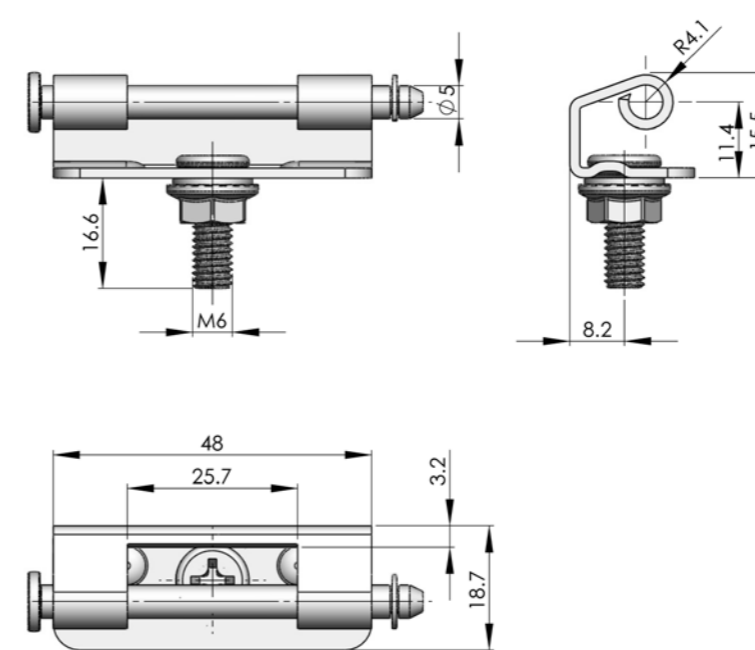
ERP	Nanometer painted	Black powder coated
ERP	CL331Z2B001	CL331Z1A001

CL103



Main material and finish: Yellow zinc plated steel hinge and pin

Application: Opening angle 90°



ERP	CL103F3C001
-----	-------------