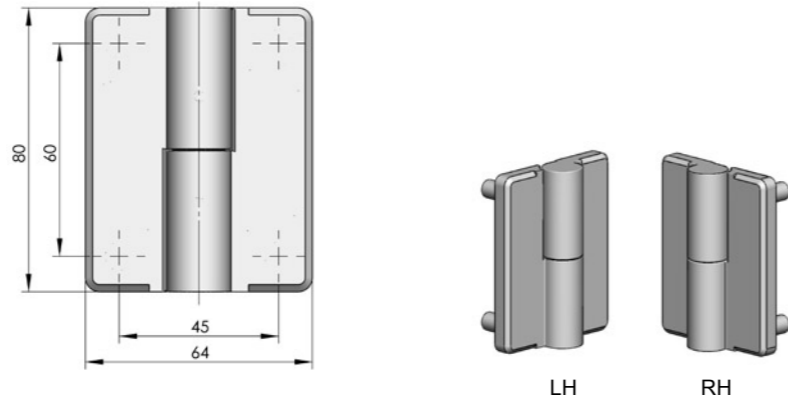
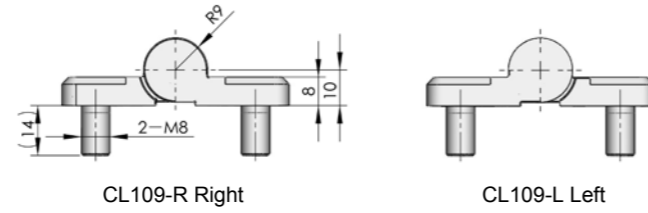


CL109



Main material and finish: Black powder coated ZDC hinge and stainless steel screw

Application: Opening angle 180°



	Left hinge	Right hinge
ERP	CL109Z1A002	CL109Z1A001

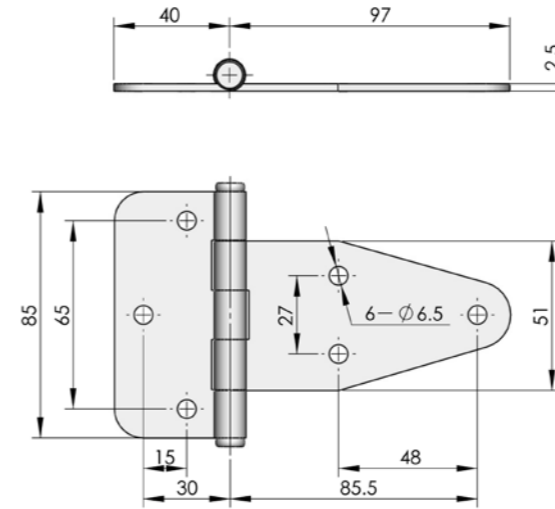
CL115



INOX
AISI
3..

Main material and finish: Mirror polishing stainless steel hinge

Application: Opening angle 180°



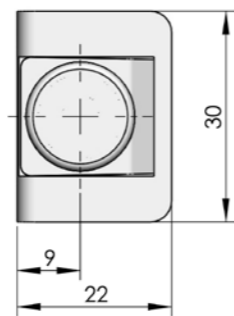
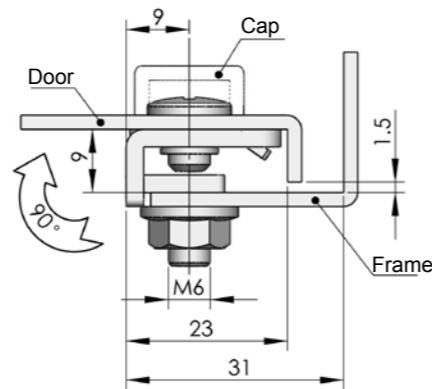
ERP	CL115S4A001
-----	-------------

CL114

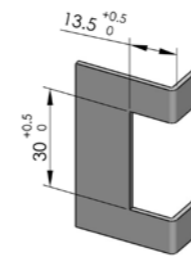
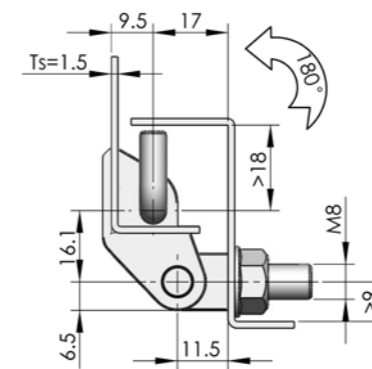
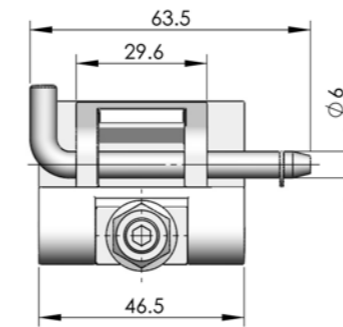


Main material and finish: White zinc plated steel hinge

Application: Opening angle 90°



ERP	CL114F3D001
-----	-------------



Door cutout

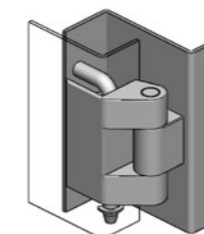
ERP	CL116Z1A001
-----	-------------

CL116



Main material and finish: Black powder coated ZDC hinge and steel shaft

Application: Opening angle 180°



Accessories
Handle lock
Cylinder lock
Electronic lock
Plane lock
Rod control lock
Panel lock
Toggle and hook
Handles
Door stop
Hinge
Seal gasket