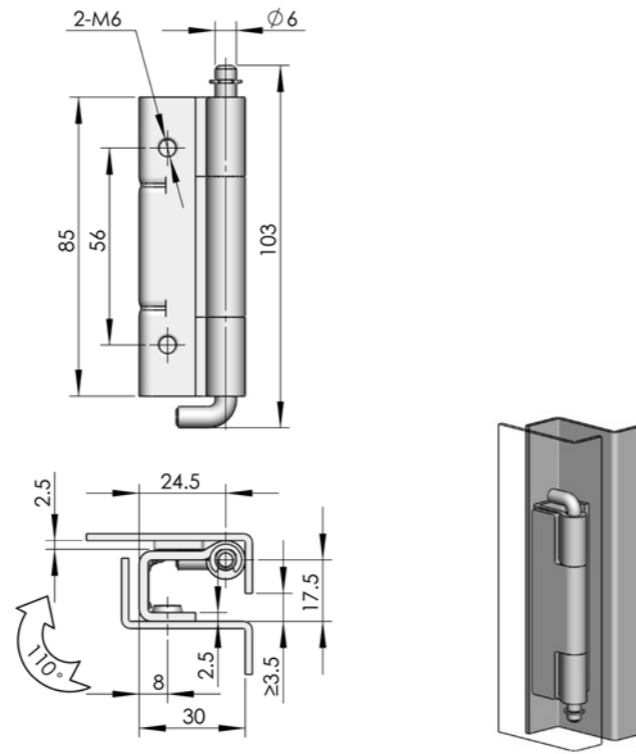


Accessories
Handle lock
Cylinder lock
Electronic lock
Plane lock
Rod control lock
Panel lock
Toggle and hook
Handles
Door stop
Hinge
Seal gasket

**CL125**



**Main material and finish:** White zinc-plated steel hinge and pin  
**Application:** Opening angle 110°

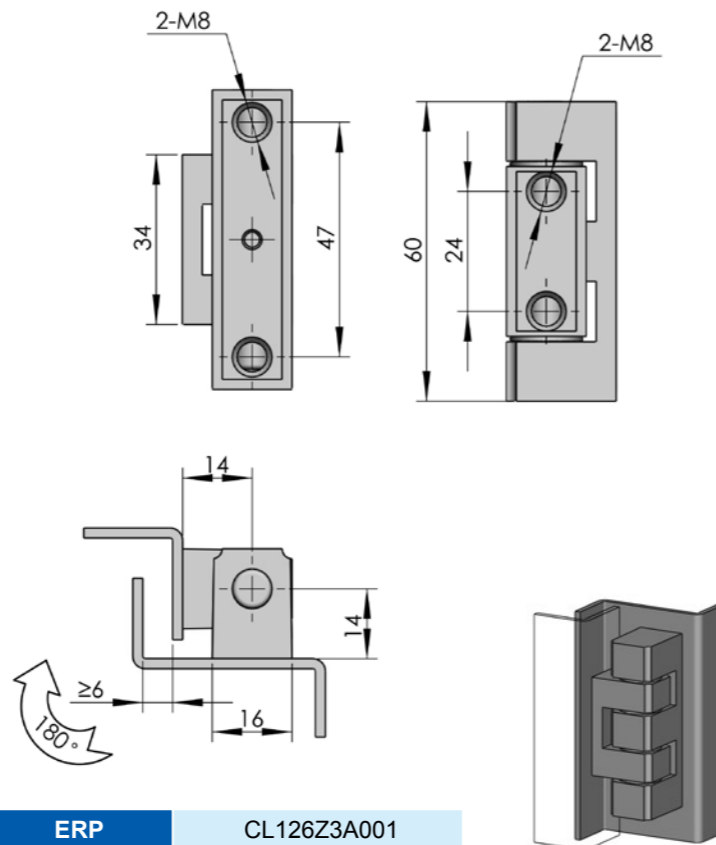


ERP CL125F3D001

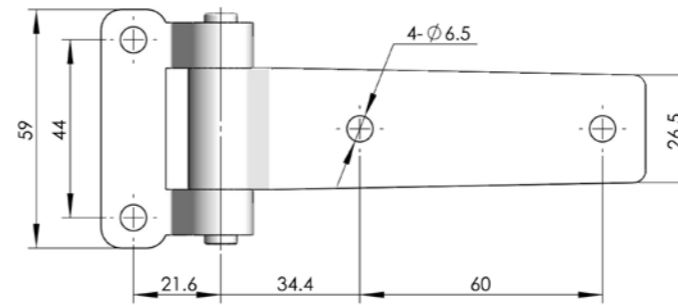
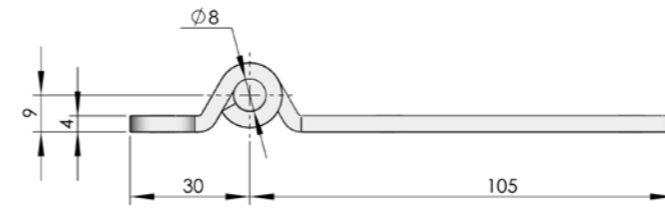
**CL126**



**Main material and finish:** Bright chrome-plated ZDC hinge and nickel-plated steel shaft  
**Application:** Opening angle 180°

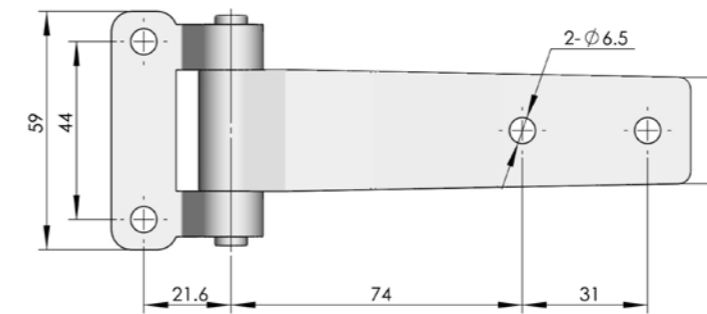
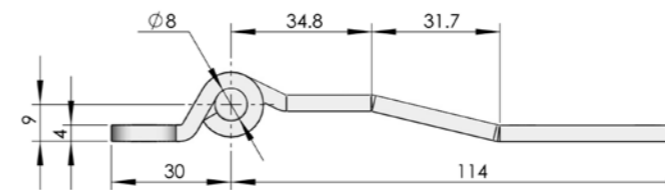


ERP CL126Z3A001



CL127-1

ERP CL127S4A002



CL127-2

ERP CL127S4A003

**CL127-1**  
**CL127-2**



**Main material and finish:** Mirror polishing stainless steel hinge and pin  
**Application:** Opening angle 180°

Accessories
Handle lock
Cylinder lock
Electronic lock
Plane lock
Rod control lock
Panel lock
Toggle and hook
Handles
Door stop
Hinge
Seal gasket