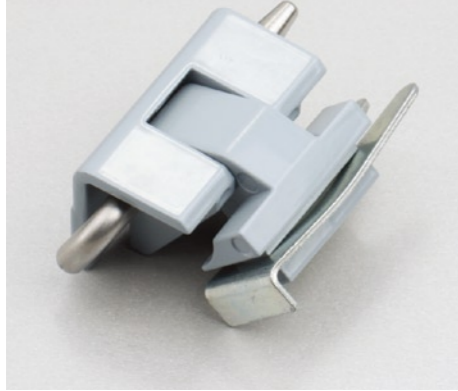
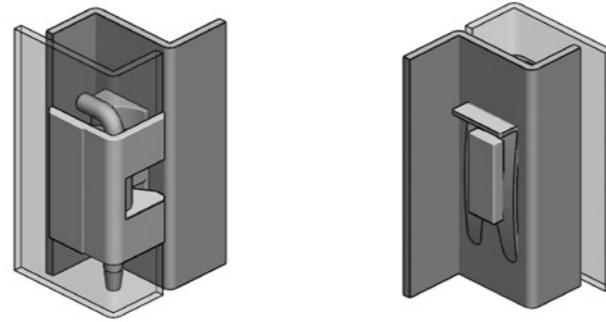
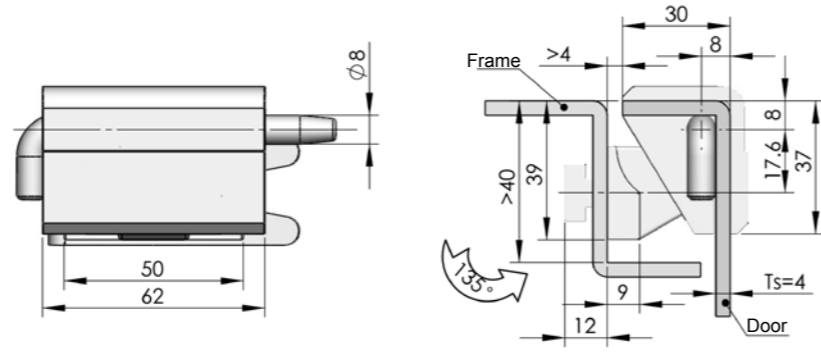


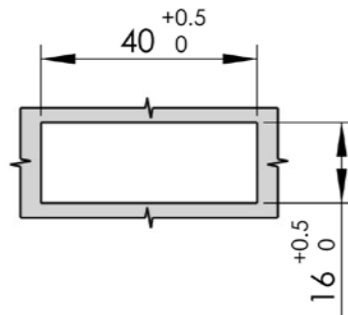
CL154



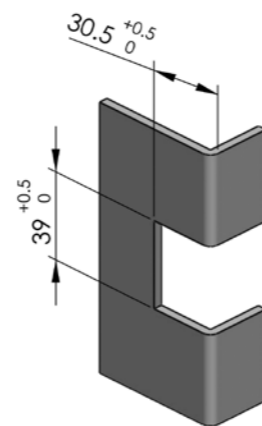
Main material and finish: Blue-gray (RAL 7012) powder coated ZDC hinge and stainless steel shaft
Application: Opening angle 135°



Frame cutout

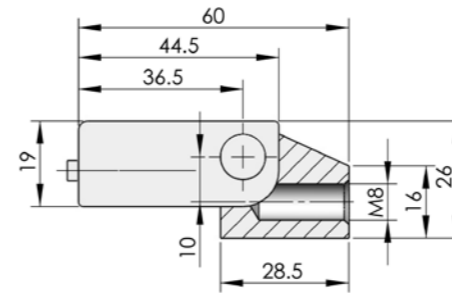
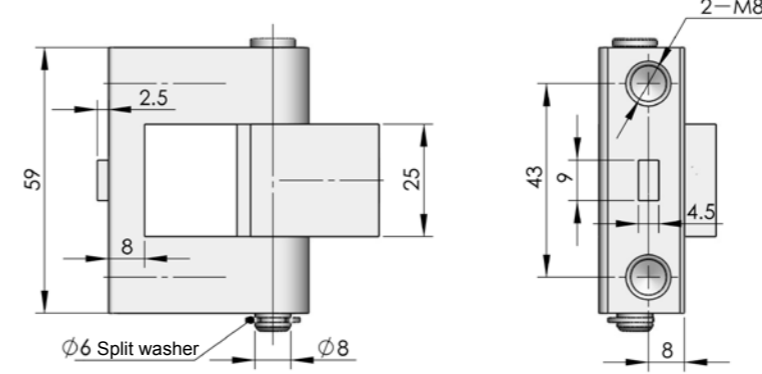


Door cutout



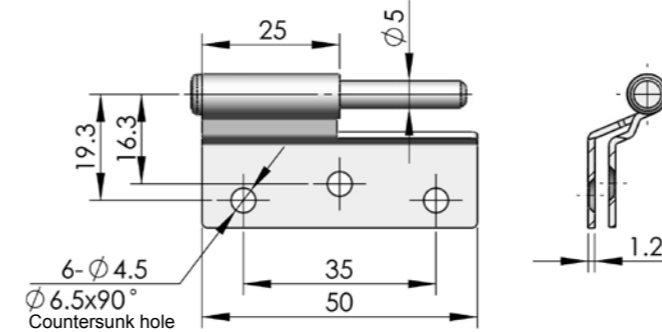
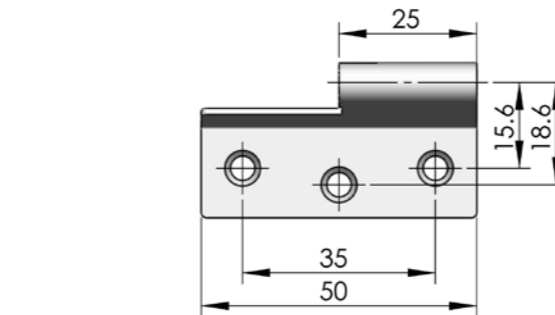
ERP

CL154Z1D001



ERP

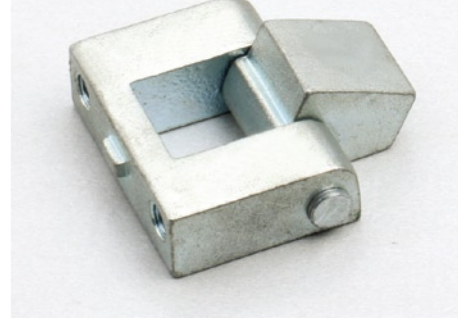
CL133F3D001



ERP

CL145F3D001

CL133



Main material and finish: White zinc-plated steel hinge leaf and shaft
Application: Opening angle 180°

CL145



Main material and finish: White zinc-plated steel hinge leaf and shaft