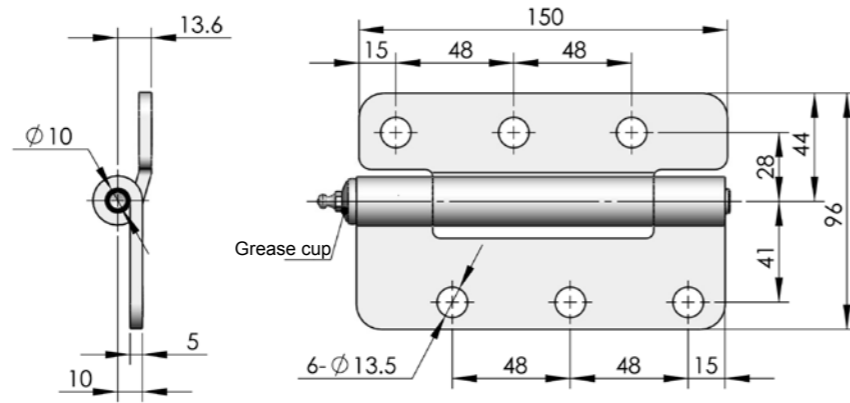


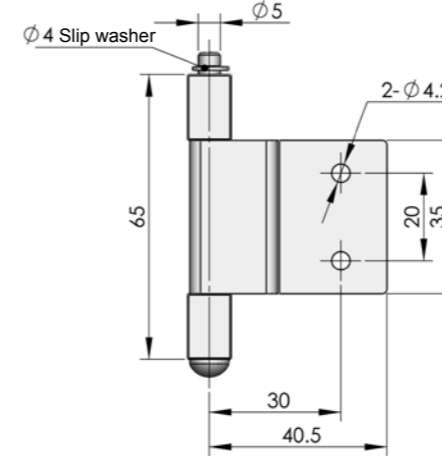
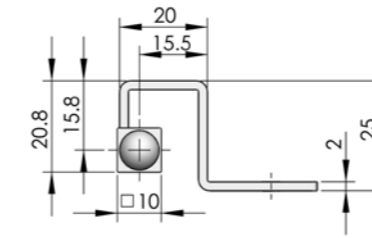
**CL158**



**Main material and finish:** White zinc-plated steel hinge leaf and shaft



ERP	CL158F3D001
-----	-------------



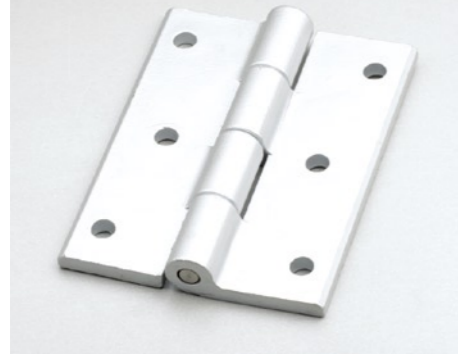
	Steel(White zinc-plated)	Stainless steel
ERP	CL151F3D001	CL151S00001

**CL151**

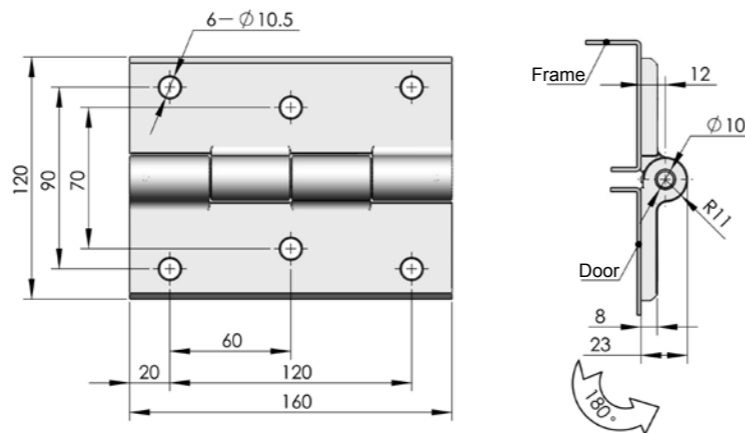


**Main material and finish:** Steel hinge leaf and shaft or stainless steel  
**Application:** Opening angle 180°

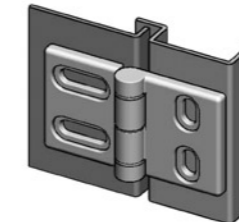
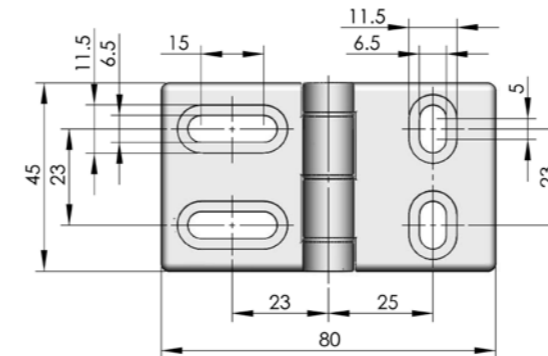
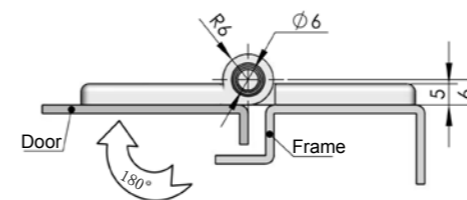
**CL226-8**



**Main material and finish:** White zinc-plated steel hinge leaf and steel shaft  
**Application:** Opening angle 180°

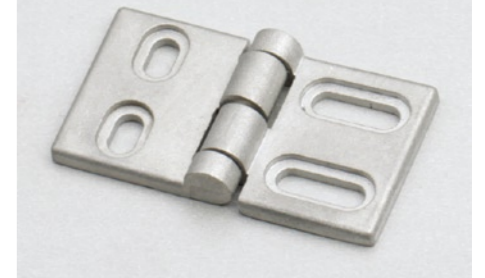


ERP	CL226F3D001
-----	-------------



ERP	CL156A4D001
-----	-------------

**CL156**



**Main material and finish:** Sand-spraying aluminum alloy hinge, stainless steel shaft  
**Application:** Opening angle 180°