

MS734

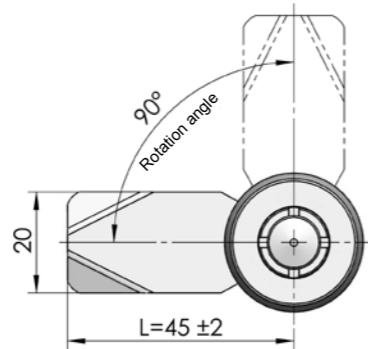
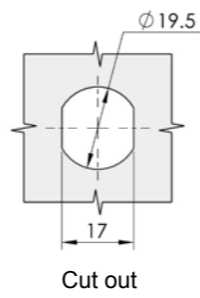
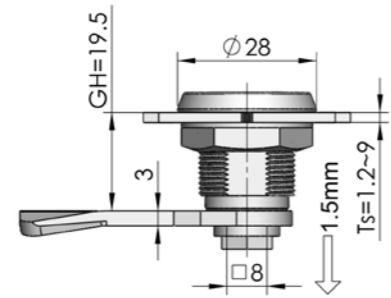


RL

Main material and finish : Bright chrome-plated ZDC housing and insert, white zinc-plated steel cam

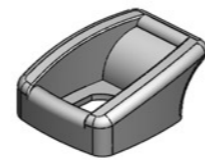
Application : Quarter-turn opening or closing, with function of locking

Remarks : Optional key K15-12



ERP MS734Z3AT12001

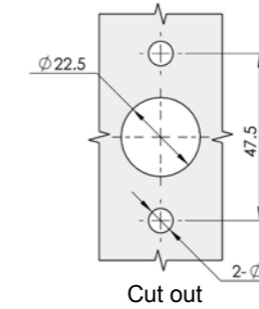
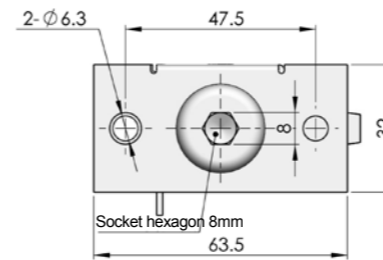
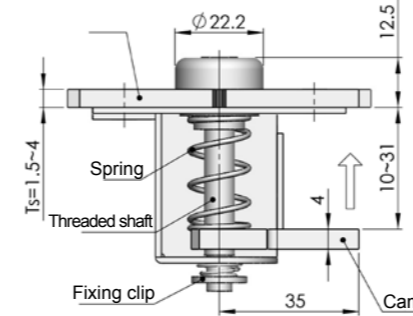
Remarks : ERP excludes cam (cutout square 8mm), cam optional refers to S1B cam list on P007



HP002 (Optional)



HP003 (Optional)



ERP MS735F3D000002

Remarks : ERP excludes cam

MS735



Main material and finish : White zinc-plated steel lock body.

Application : Quarter-turn opening or closing, with function of locking

Default cam : S1S35Y00001

MS735-2



Main material and finish : Trivalent zinc-plated steel lock body.

Application : Quarter-turn opening or closing

Default cam : S1S25Y00001

MS761



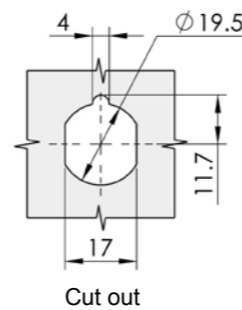
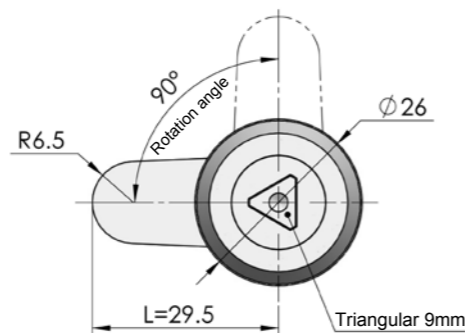
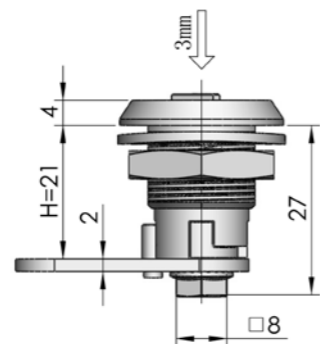
RL

Main material and finish : Bright chrome-plated ZDC housing and steel insert, white zinc-plated steel cam

Application : Quarter-turn opening or closing, with function of locking

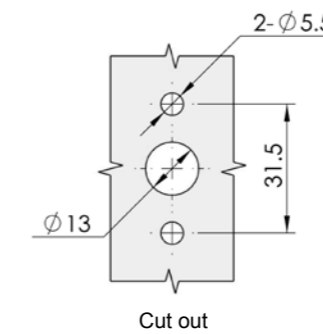
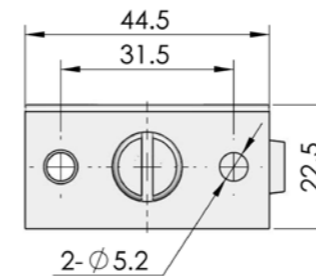
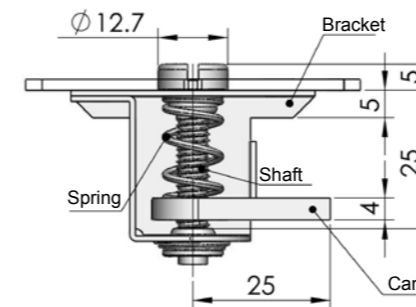
Remarks : Optional key K15-04A

Default cam : S1B29Y00005



ERP MS761Z3AT04001

Remarks : ERP excludes cam



ERP MS735F3E000001

Remarks : ERP excludes cam