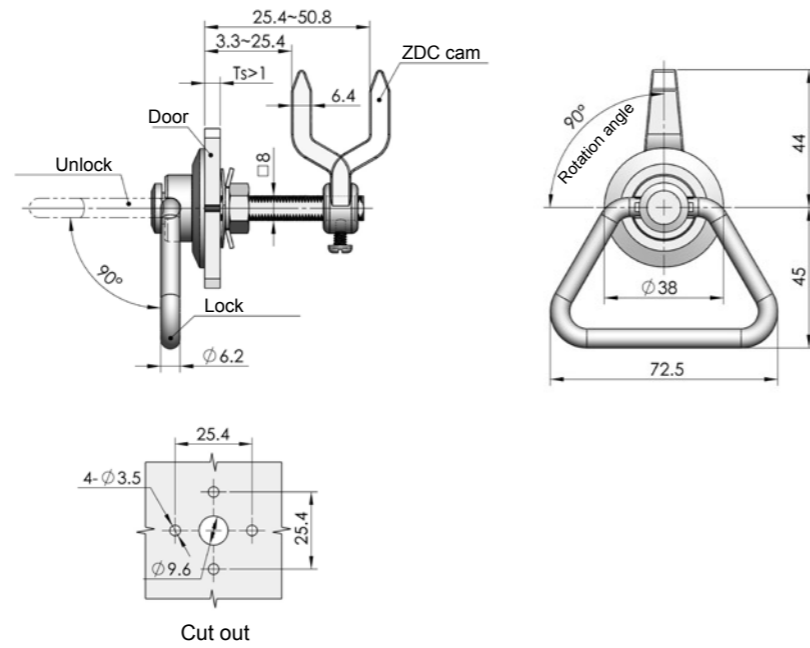


MS739



Main material and finish : White zinc-plated steel handle, shaft, screw and ZDC cam
Application : Handle 360 degree rotation, Height adjustable



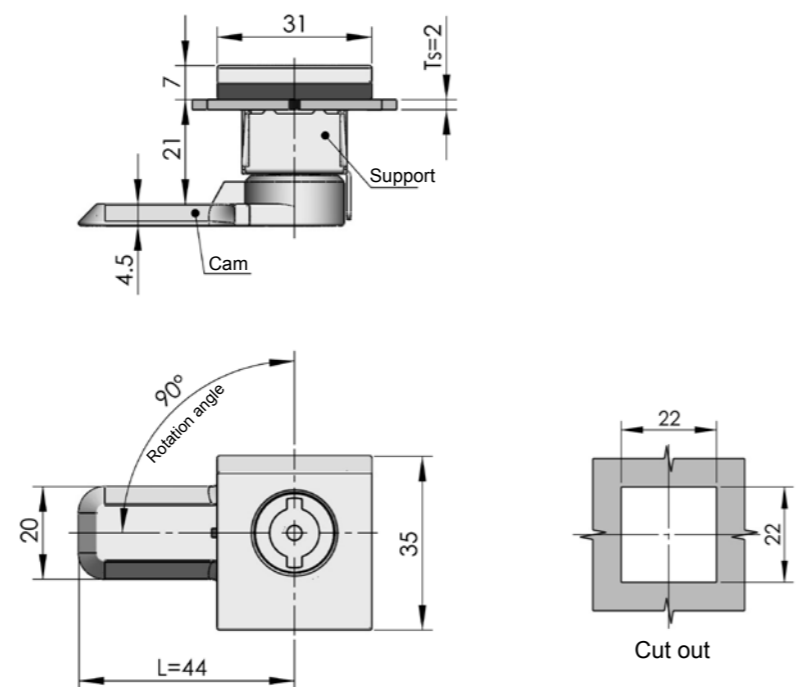
ERP MS739Z3D000001

MS813

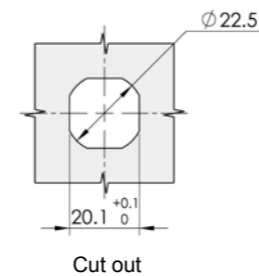
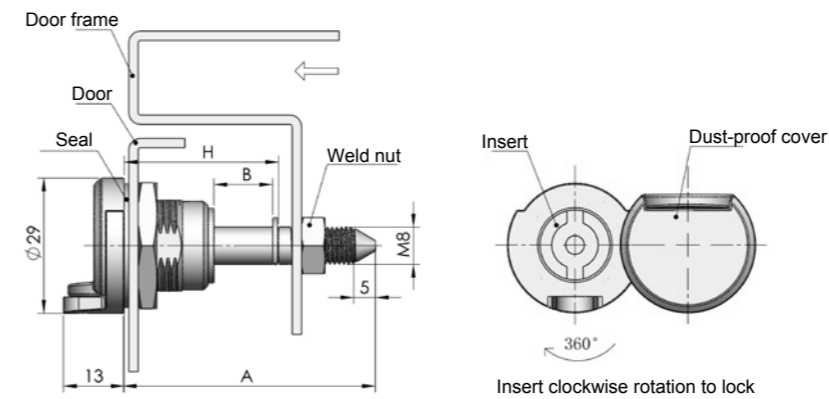
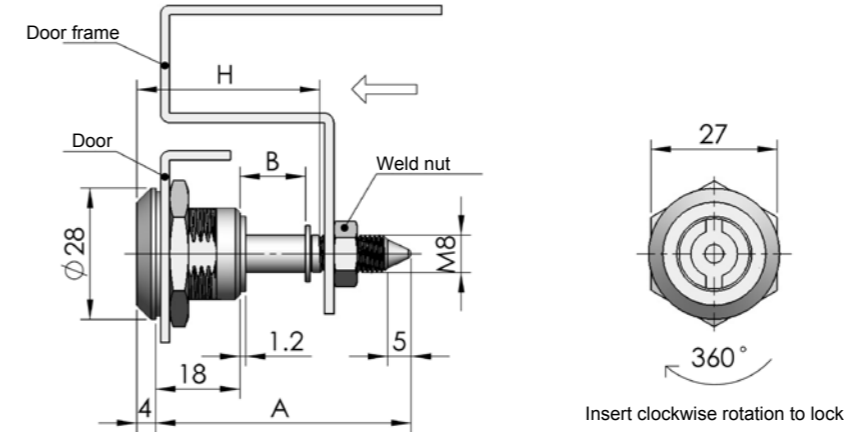


RL IP54

Main material and finish : Yellow-gray ZDC housing, bright chrome-plated ZDC insert, white zinc-plated ZDC cam
Application : Quarter-turn opening or closing
Remarks : Optional key K15-01C



	ZDC	Full S.S.
ERP	MS813Z1ET01001	MS813S1BT01001



Specification	ERP		
	ZDC housing	Lead sealable housing	PA housing
A=40 B=2.5 H=23	MS704Z3AT02001	MS704Z3HT02004	MS704N00T02001
A=46 B=7.5 H=28	MS704Z3AT02002	MS704Z3HT02005	MS704N00T02002
A=54 B=13.5 H=34	MS704Z3AT02003	MS704Z3HT02006	MS704N00T02003

MS704-1



MS704-1A



Main material and finish : Bright chrome-plated ZDC housing and steel insert
Application : 360 degree opening or closing, with function of locking
Remarks : Optional key K15-01C