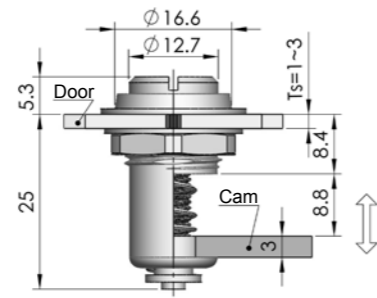


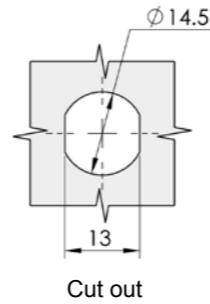
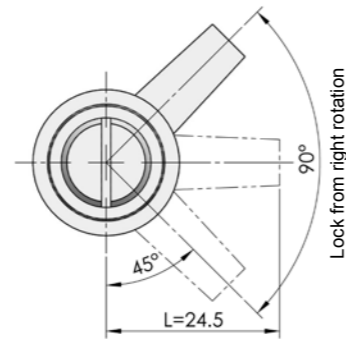
MS811-4



Main material and finish : White zinc-plated ZDC housing, white zinc-plated steel cam and shaft

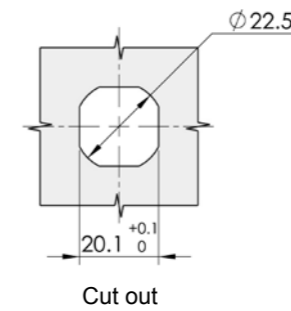
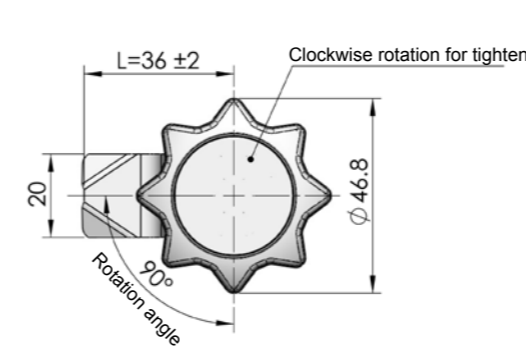
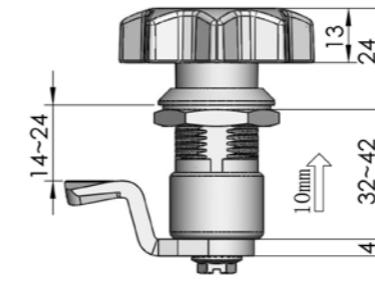
Application : Quarter-turn opening or closing, with function of locking

Default cam : S1S25Y00002



	Lock from left rotation	Lock from right rotation
ERP	MS811Z3D000008	MS811Z3D000007

Remarks : ERP excludes cam



ERP	MS811Z2B000001
-----	----------------

Remark:ERP excludes cam

MS811-6

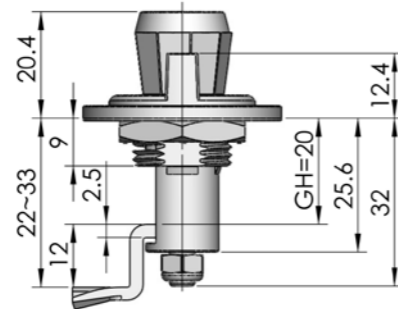


Main material and finish : Nanometer-painted ZDC button and housing, nanometer-painted aluminum cover, white-zinc-plated cam

Application : Quarter-turn opening or closing, with function of locking

Default cam : S1M36Y14001

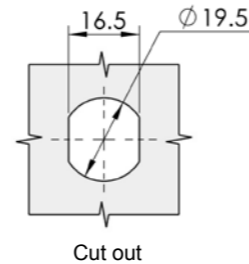
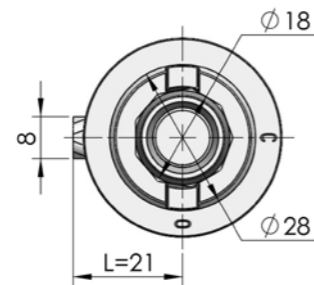
MS811-5



Main material and finish : PA handle and housing, white zinc-plated steel cam

Application : Quarter-turn opening or closing, with function of locking

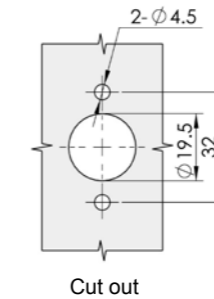
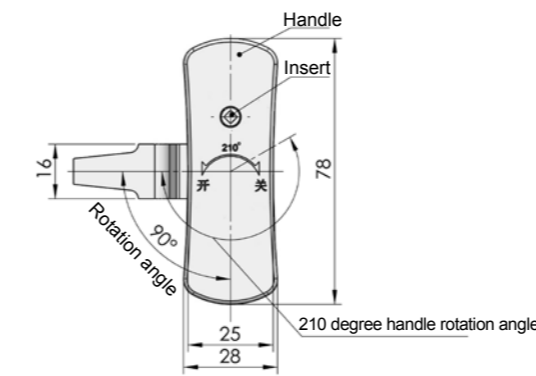
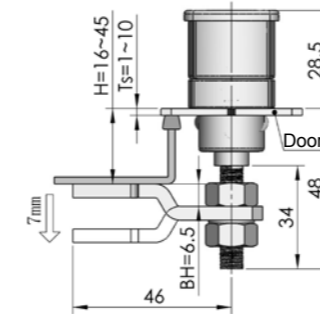
Default cam : S1S21Y12001



Remarks : Quarter-turn rotation to realize LH or RH

ERP	MS811N00000009
-----	----------------

Remarks : ERP excludes cam



ERP	MS822Z1A000001
-----	----------------

Remarks : ERP excludes cam (cutout Ø8x6.5)

MS822



Main material and finish : Black powder coated ZDC housing and handle, white zinc-plated steel cam ,insert and shaft

Application : Quarter-turn opening or closing, adjustable, with function of locking

Default cam : S1K46Y07001