



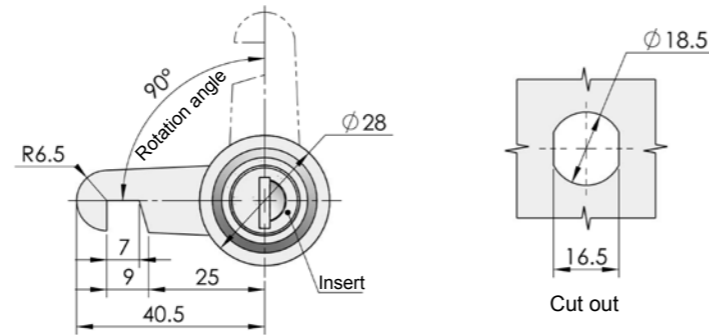
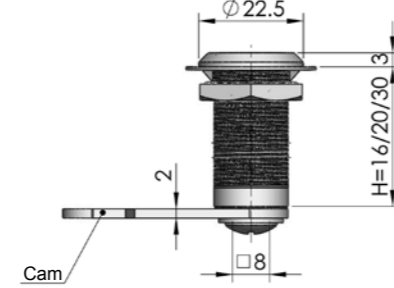
RL

Main material and finish: Bright chrome plated ZDC housing and insert, white zinc plated steel cam

Application: Quarter-turn opening or closing

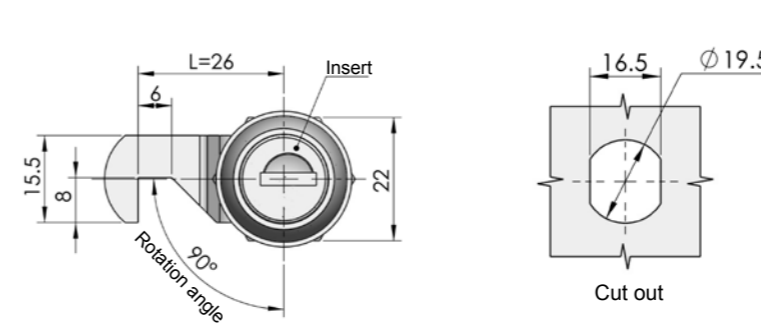
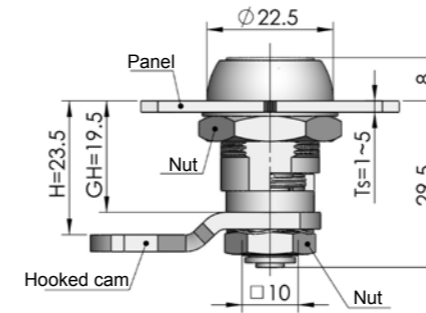
Remarks: Default key K420

Default cam : S1B40Y00001



	Housing H=16	Housing H=20	Housing H=30
ERP	MS729Z3A420001	MS729Z3A420002	MS729Z3A420003

Remarks : ERP excludes Cam



ERP	MS741Z3A160001
-----	----------------

Remarks : ERP excludes Cam

MS741



R

Main material and finish: Bright chrome-plated ZDC housing and insert, white zinc plated steel cam

Application: Quarter-turn opening or closing, with function of locking automatically

Remarks: Default key K160

Default cam : S1C32Y04001

MS733



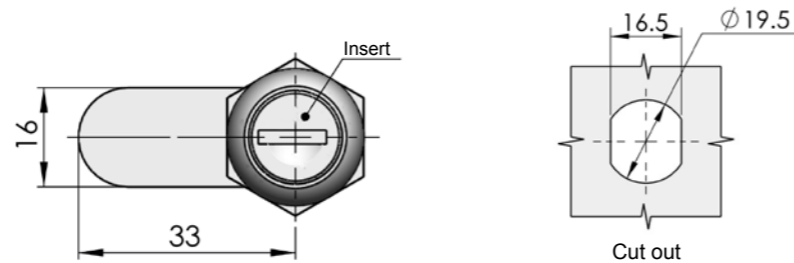
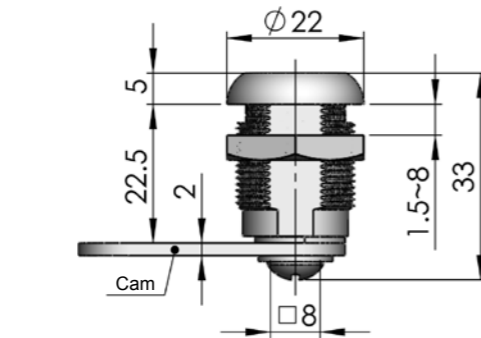
RL

Main material and finish: Bright chrome-plated ZDC housing and insert, white zinc-plated steel cam

Application: Quarter-turn opening or closing

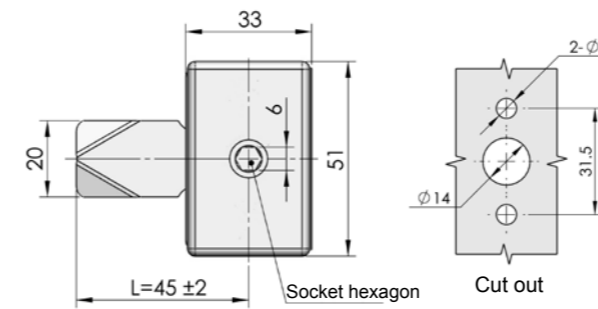
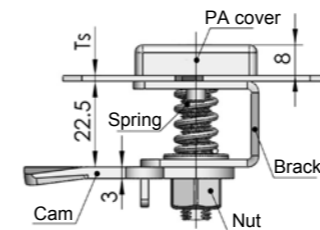
Remarks: Default key K430

Default cam : S1B33Y00005

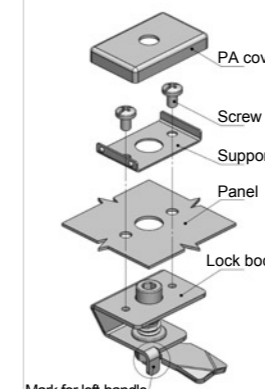


ERP	MS733Z3A430006
-----	----------------

Remarks : ERP excludes Cam



Exploded view



	Close from left rotation	Close from right rotation
ERP	MS742F3D000001	MS742F3D000002

Remarks : ERP excludes Cam

MS742



R L

Main material and finish: White zinc-plated steel housing cam and shaft, PA cap

Application: Quarter-turn opening or closing

Default cam : S1K45Y00001