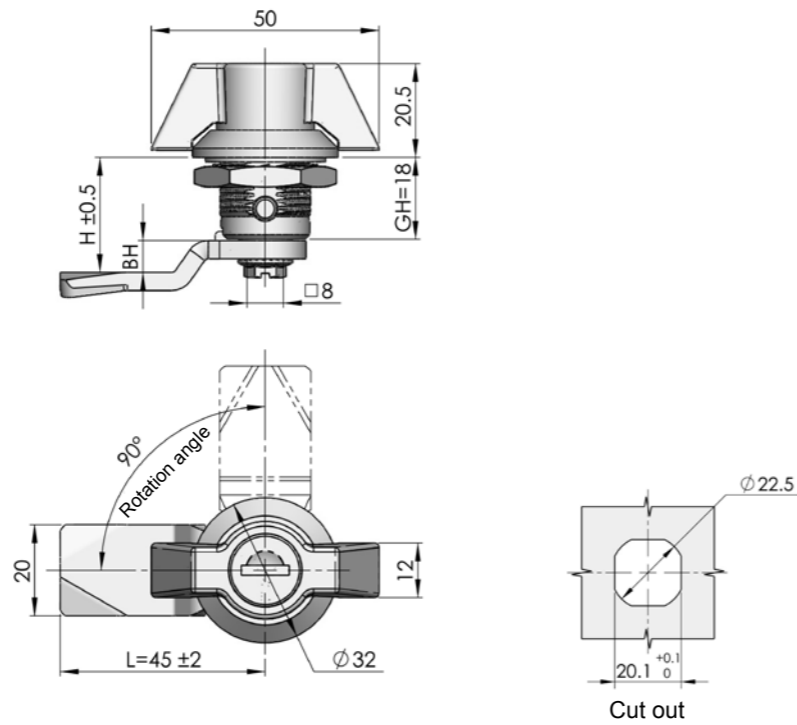


Accessories
Handle lock
Cylinder lock
Electronic lock
Swing handle
Rod control lock
Panel lock
Toggle and hook
Handles
Door stop
Hinge
Seal gasket

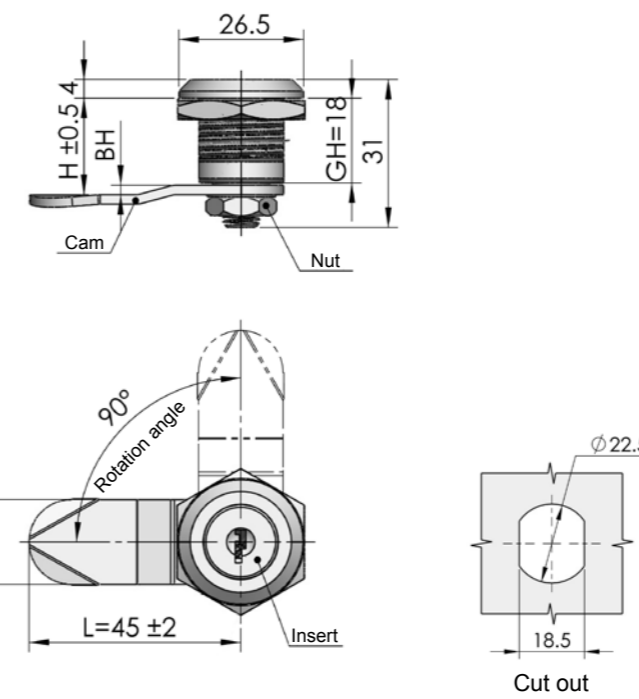
MS748-3

IP40

Main material and finish: Pocked black powder coated ZDC housing, handle and insert white zinc-plated steel cam
Application: Quarter-turn opening or closing
Remarks: Default key K190



ERP MS748Z1B190001
 Remarks : ERP excludes cam, cam optional refers to S1B cam list on P007, Ts=4

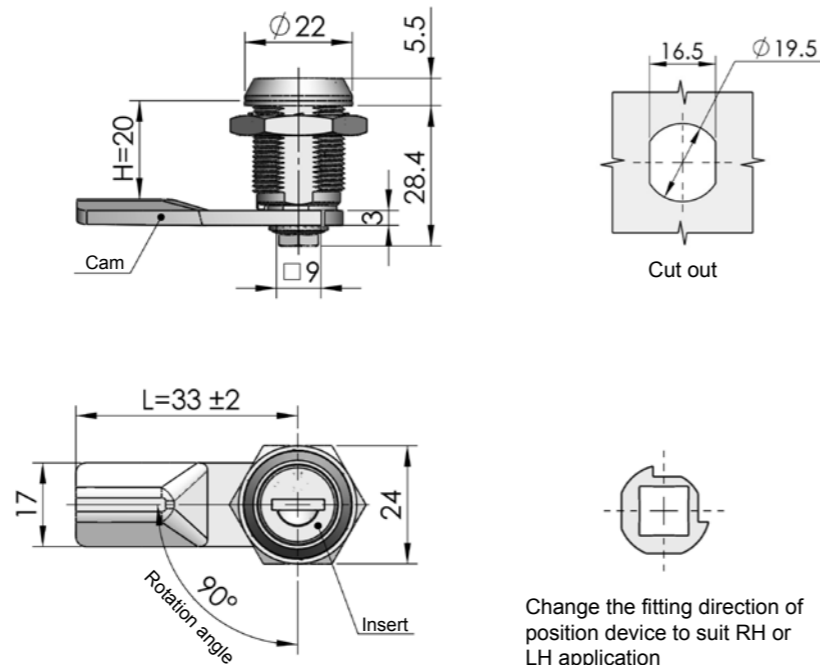


ERP MS802Z3A050001
 Remarks : ERP excludes cam (Cutout square 8mm)

MS760

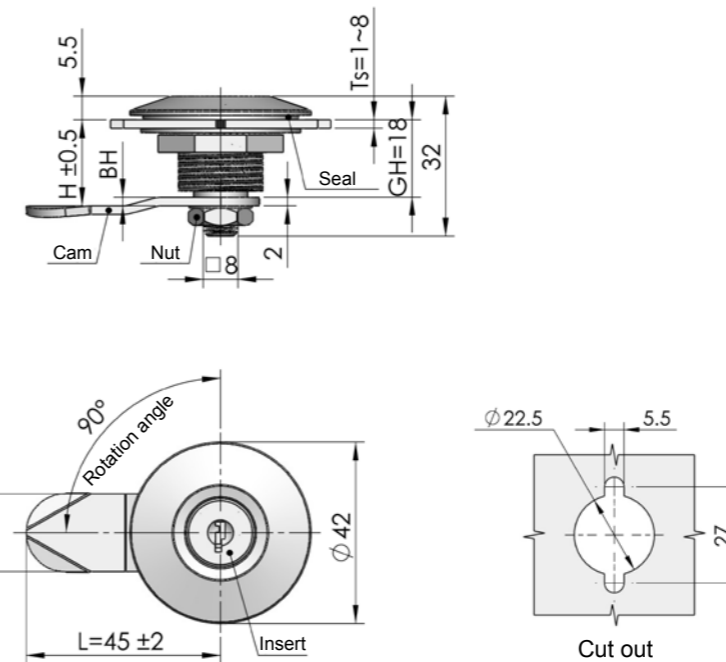
RL IP40

Main material and finish: Bright chrome-plated ZDC housing and insert, white zinc-plated steel cam
Application: Quarter-turn opening or closing
Remarks: Default key K160
Default cam : S1V33N02001



ERP MS760Z3A160001
 Remarks : ERP excludes Cam

Change the fitting direction of position device to suit RH or LH application



ERP MS804Z3A050001
 Remarks : ERP excludes Cam

MS802

Main material and finish: Bright chrome-plated ZDC housing and insert, white zinc-plated steel cam
Application: Quarter-turn opening or closing
Remarks: Default key K050
Default cam : S1B45Y02001 (Ts=2)

MS804

Main material and finish: Bright chrome-plated ZDC housing and insert, white zinc-plated steel cam
Application: Quarter-turn opening or closing
Default cam : S1B45Y02001 (Ts=2)